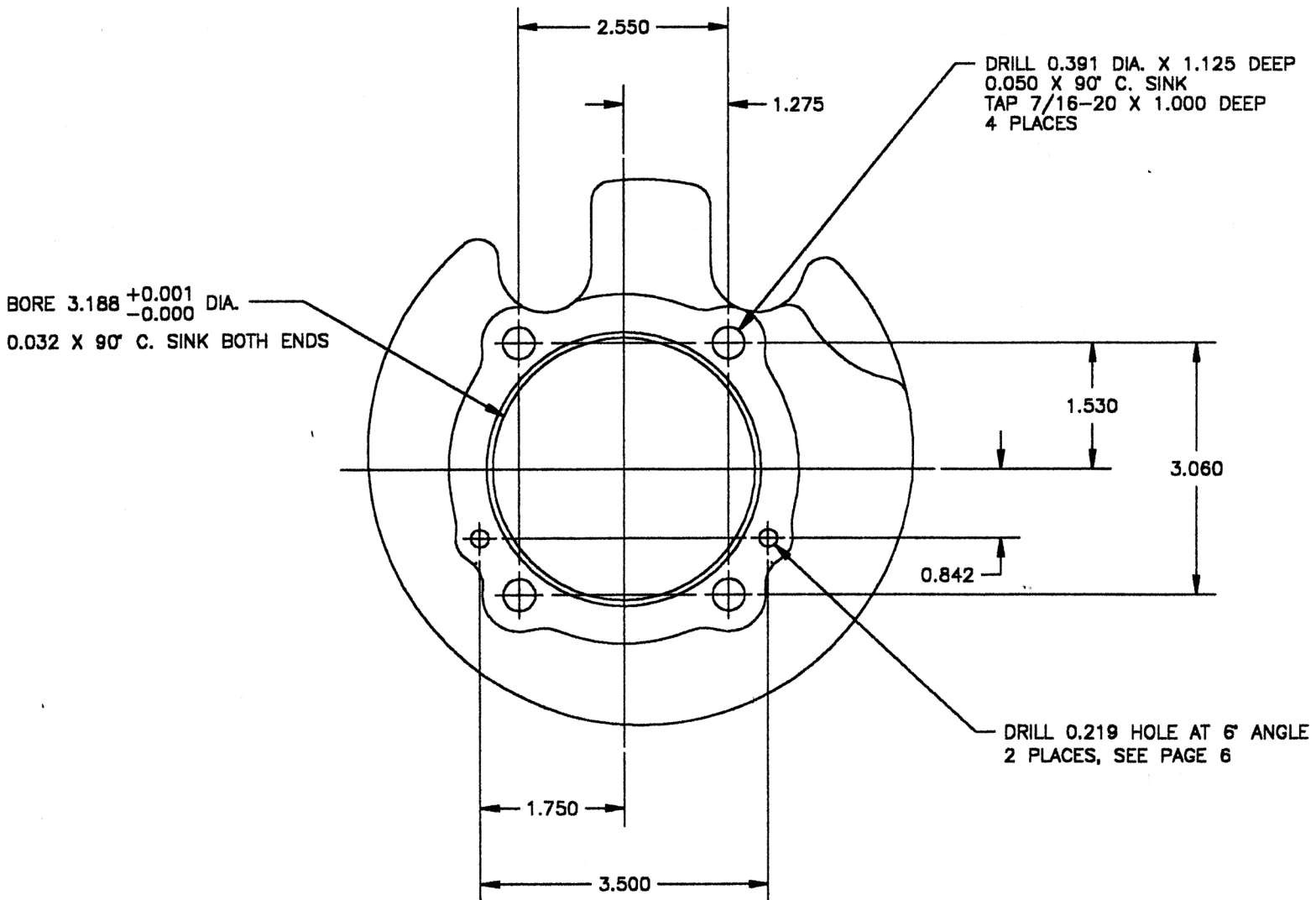


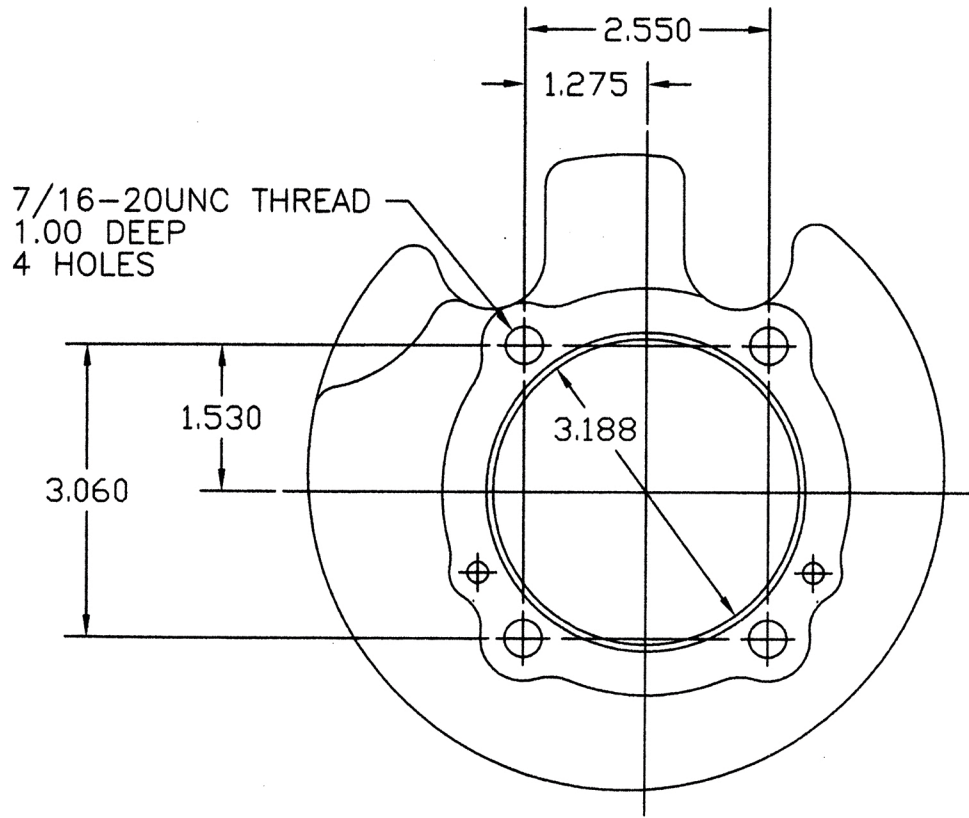
V-Twin Mfg.  
Fits 1972 XL Models  
VT No. 11-0489

This is a custom application and rider safety depends on proper installation. This product should only be installed by a knowledgeable and trained motorcycle technician. V-Twin Mfg. accepts no responsibility for improper installation.

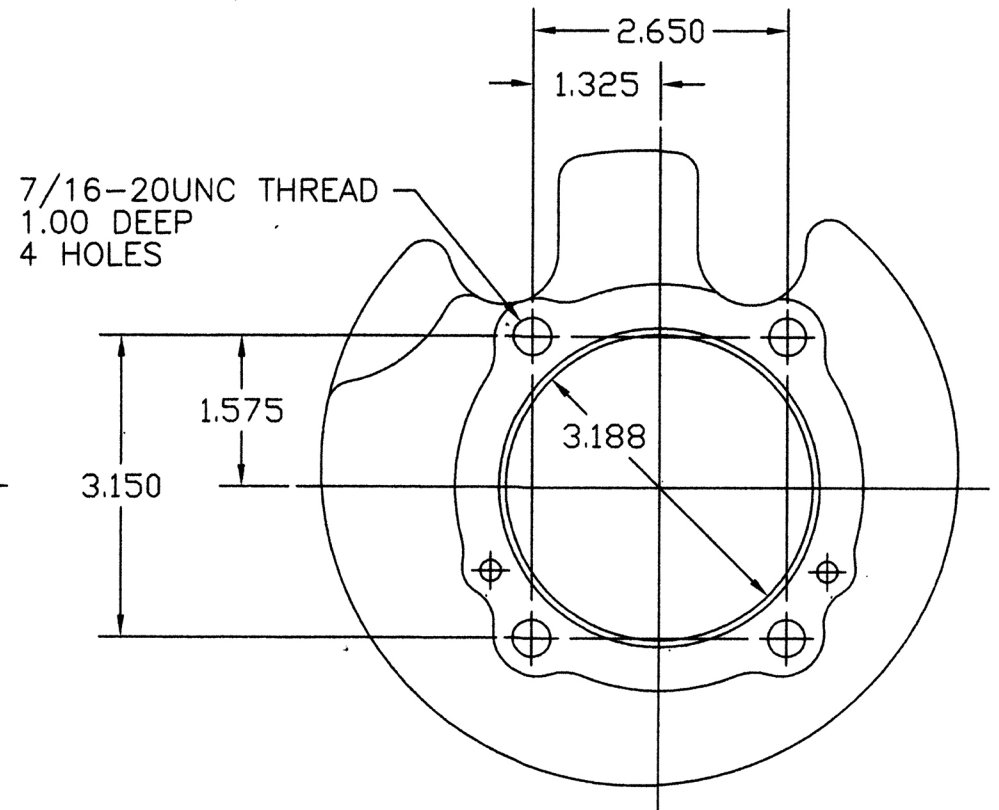
If you do not know whether you have a early 1973 XL or a late 1973 XL see the illustration below. The below diagram will show you the measurements for an early model 1973 XL cylinder.



# 1,000 CC SPORTSTER CYLINDER IDENTIFICATION CHART



XL CYLINDER TOP  
1,000 CC  
1972  
VT 11-0488 FRONT  
VT 11-0489 REAR



XL CYLINDER TOP  
1,000 CC  
1973-1985  
VT 11-0504 FRONT  
VT 11-0505 REAR