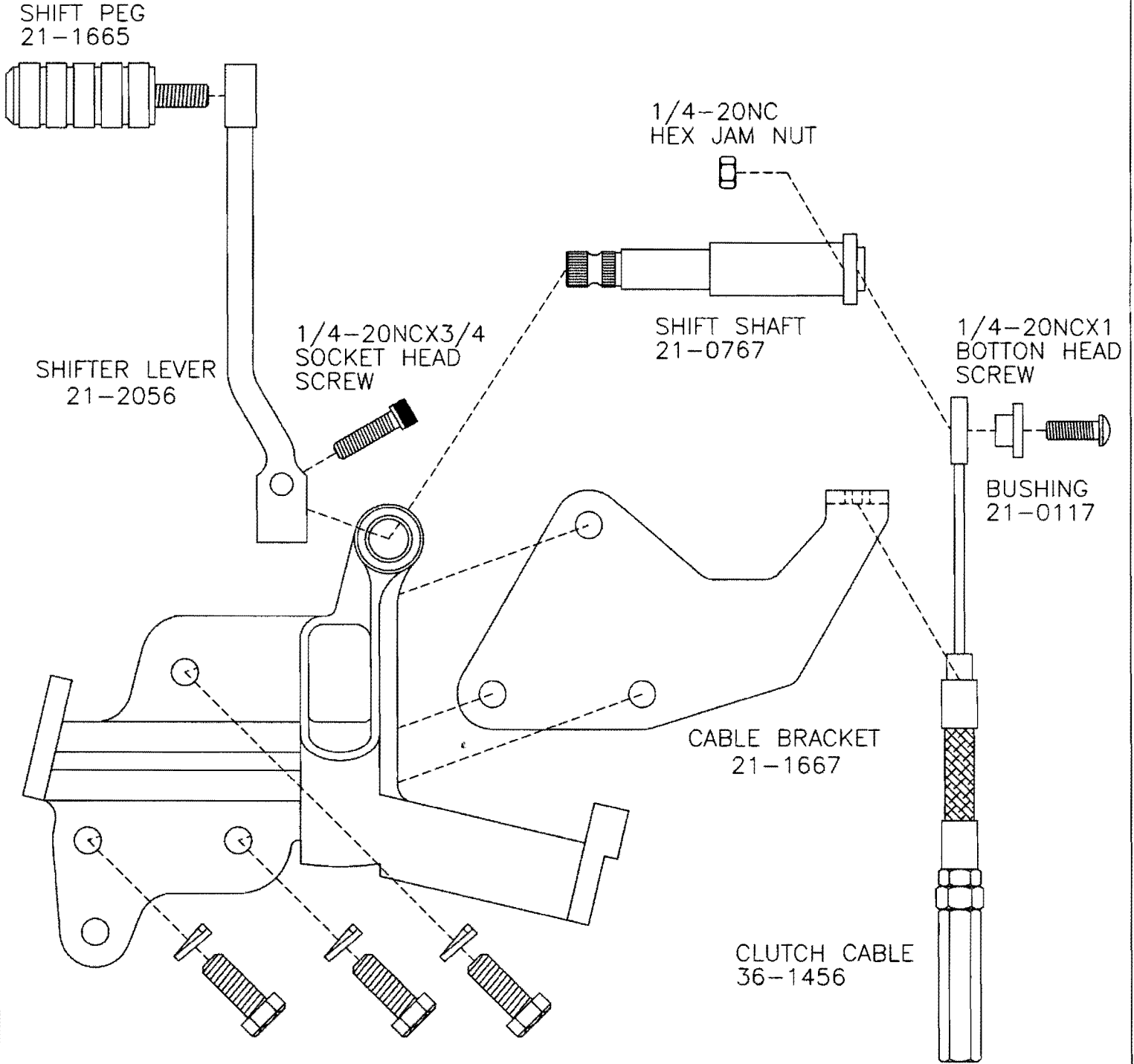


CHROME FOOT CLUTCH KIT

VT 22-0951

2000 UP FXST

2000 UP FLST



SHIFT PEG
21-1665

1/4-20NC
HEX JAM NUT

SHIFTER LEVER
21-2056

1/4-20NCX3/4
SOCKET HEAD
SCREW

SHIFT SHAFT
21-0767

1/4-20NCX1
BOTTOM HEAD
SCREW

BUSHING
21-0117

CABLE BRACKET
21-1667

CLUTCH CABLE
36-1456

3/8-16NCX1 HEX SCREW
WITH SPLIT LOCK WASHER
TO MOTORCYCLE FRAME

SCALE 0.50 X