

**V-Twin Mfg.**  
**Chrome 49mm Fork Brace**  
**VT Part No. 24-0983**

This is a custom application and rider safety depends on proper installation. This product should only be installed by a knowledgeable and trained motorcycle technician. V-Twin Mfg. accepts no responsibility for improper installation.

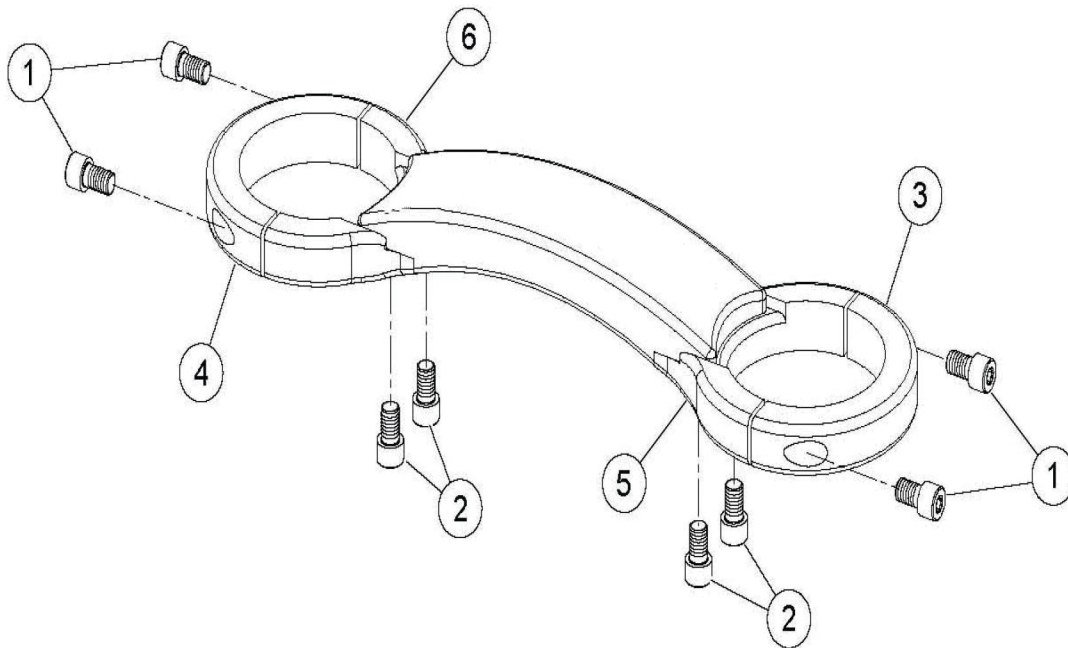
This Fork Brace is designed for installation on 49mm diameter fork tubes. This fork brace is designed to fit 2006 and later FXD, FXDB, FXDC, FXDL and 2002-08 VRSCA, VRSCB.

**Installation Instructions:**

1. Remove screws (1) and end caps (3 and 4) from fork brace.
2. Loosen screws (2), push brace halves together and insert between fork tubes. Spread the brace to fit tight to the fork tubes and take note of the spacing. Remove the fork brace and tighten screws (2).
3. Insert the fork brace between the fork tubes and set the desired height from top of the front fender.
4. Install the end caps (3 and 4) using screws (1).
5. Tighten end caps screws (1) to 84 in-lbs.

**Note:** It is very important to tighten all screws evenly and carefully to prevent binding.

**Note:** Check clearance between the fork brace and front end components such as brake hoses and cables. Check all clearances throughout the travel range of the front suspension.



**Parts list**

Item	Description & Quantity
1	Screw, socket head, 1/4-20 x 0.5 inch (4)
2	Screw, socket head, 5/16-18 x 1.5 inch (2)
3	Front brace half
4	Rear brace half
5	Right end cap
6	Left end cap