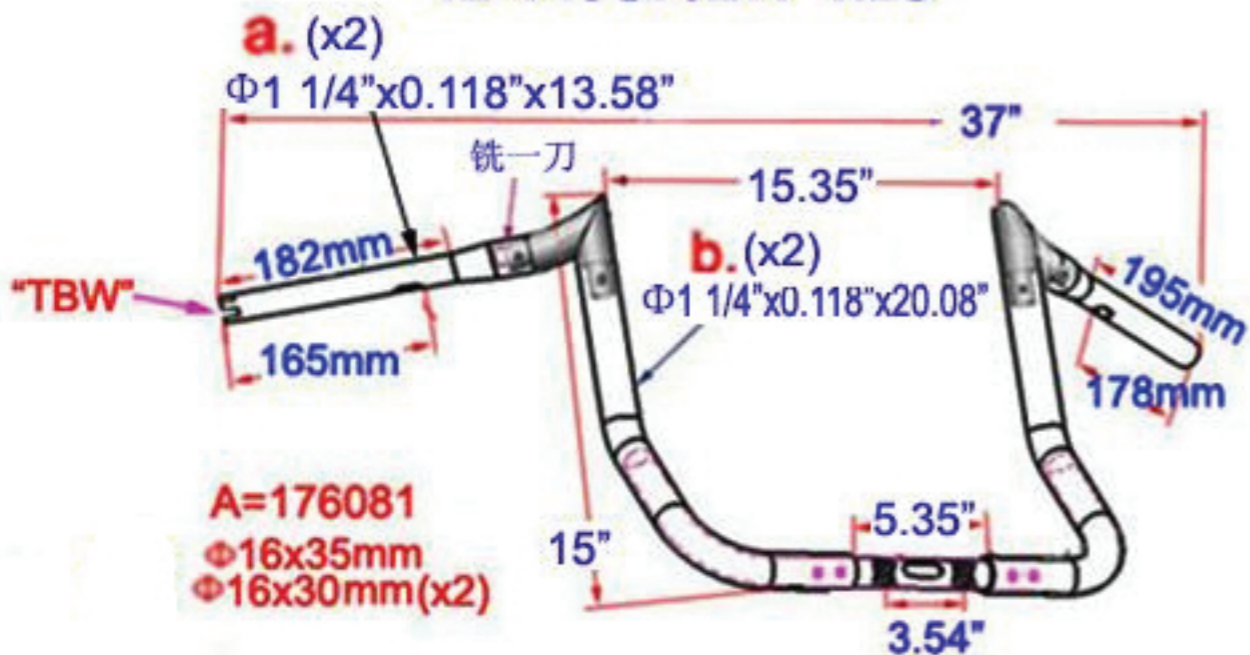


MONKEY BAGGER-BARS

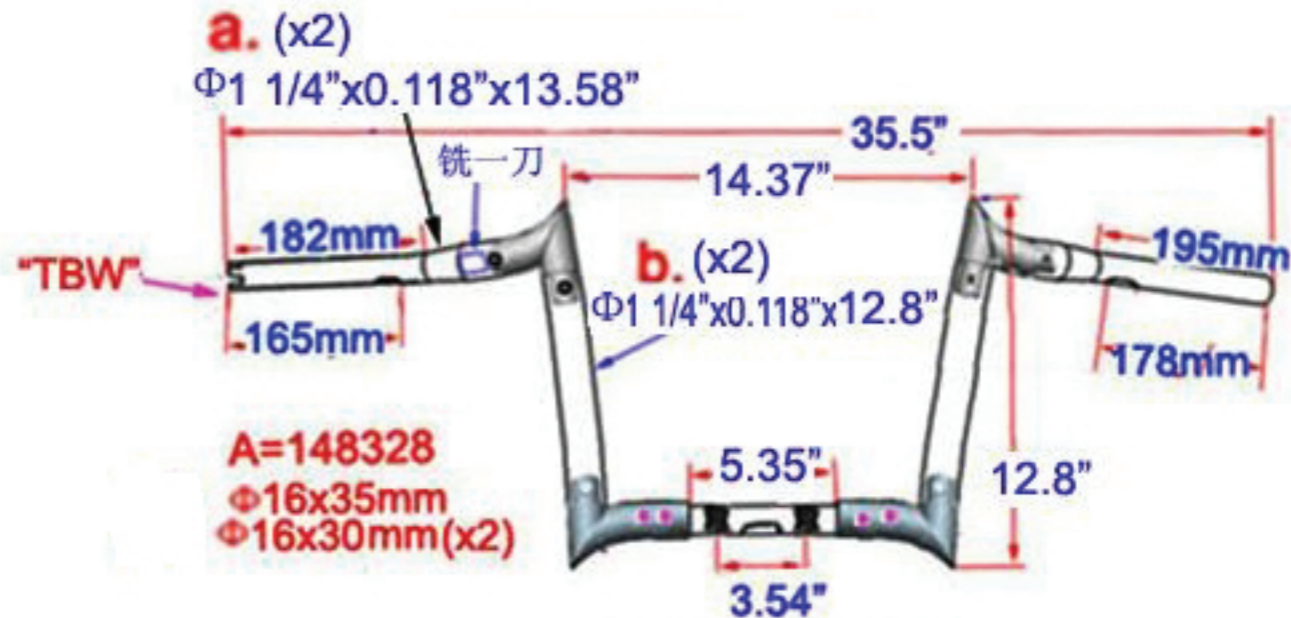
12-140CP/BK 1.25"



A=176081
 $\Phi 16$ x35mm
 $\Phi 16$ x30mm(x2)

VT 25-0728

12-145CP/BK 1.25"



A=148328
 $\Phi 16$ x35mm
 $\Phi 16$ x30mm(x2)

VT 25-0729