

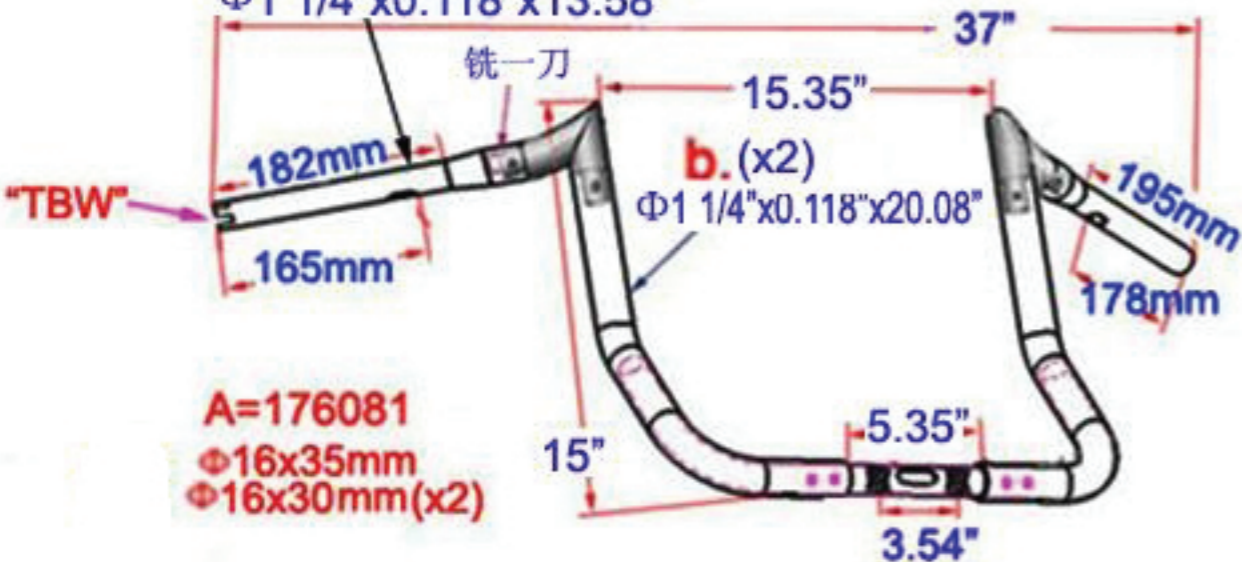
MONKEY BAGGER-BARS

12-140CP/BK 1.25"

12-145CP/BK 1.25"

a. (x2)

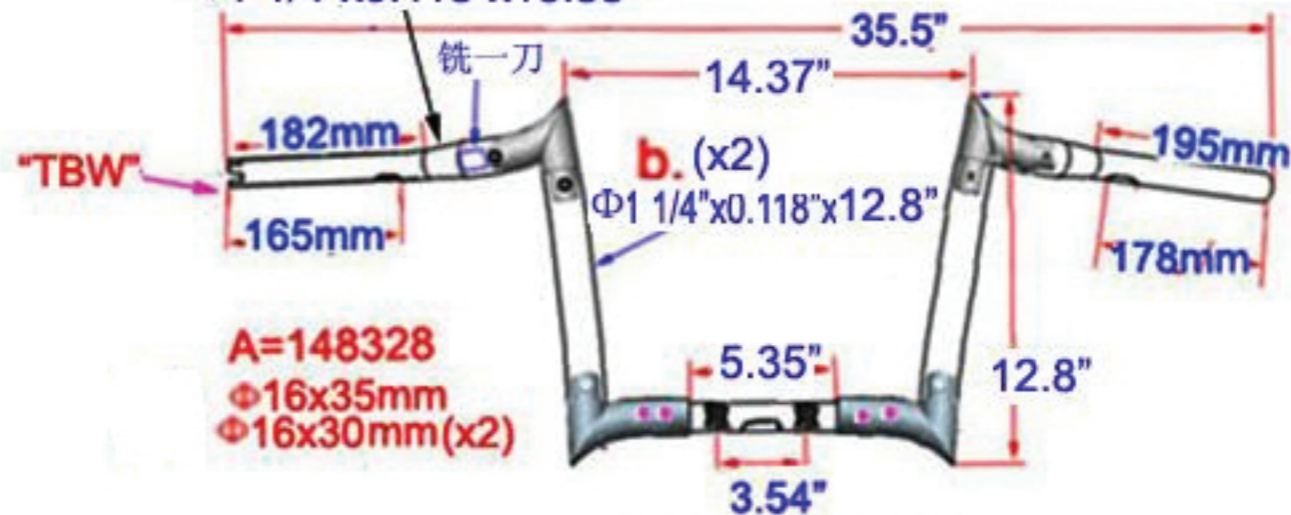
$\Phi 1 \frac{1}{4} \times 0.118 \times 13.58$



VT 25-0728

a. (x2)

$\Phi 1 \frac{1}{4} \times 0.118 \times 13.58$



VT 25-0729