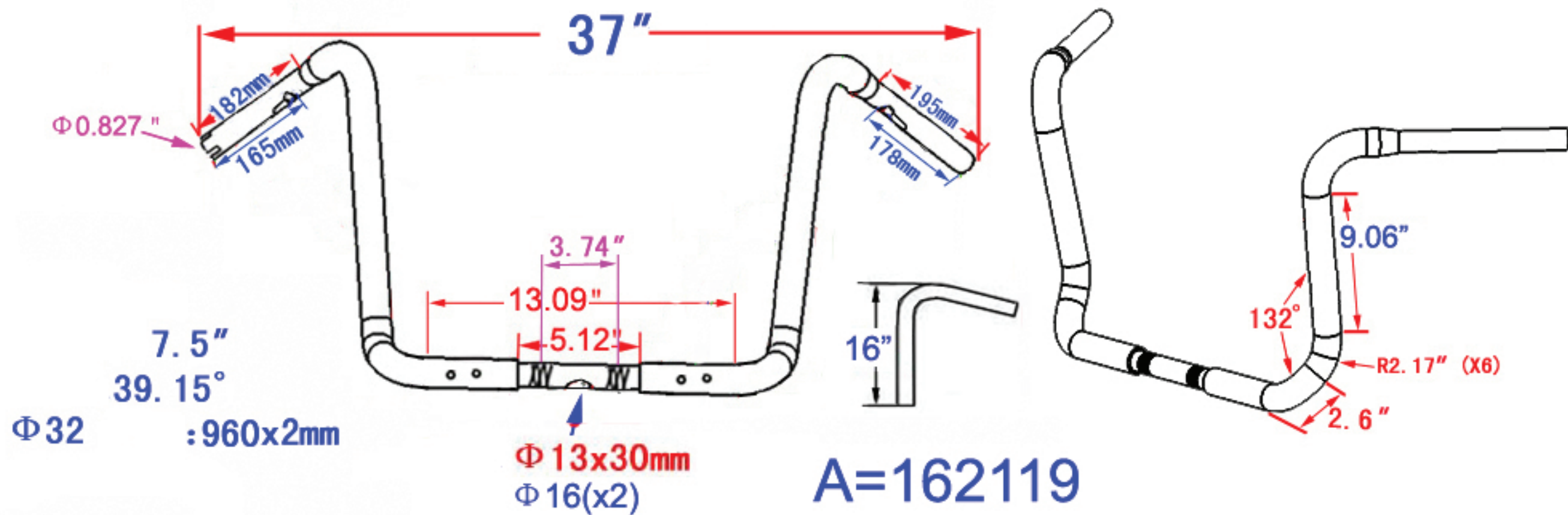
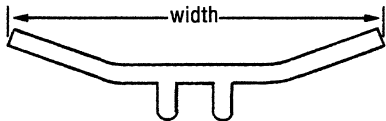


VT25-0991 16" DRESSER APE HANGER





R-1= Rise to grip tip
R-2= Rise to center
P-b= Pull back
W= Width tip to tip

