

# VT No. 26-0179

## FRONT MASTER CYLINDER COVER KIT

### Kit Contents

See Figure 1

### INSTALLATION

#### NOTICE

Do not allow dirt or debris to enter the master cylinder reservoir. Dirt or debris in the reservoir can cause improper operation and equipment damage.

#### NOTE

If this is a master cylinder cover replacement, start with step 1. If this is new installation for a hydraulic clutch kit, go to step 3.

#### NOTICE

D.O.T. 4 brake fluid will damage painted and body panel surfaces it comes in contact with. Always use caution and protect surfaces from spills whenever brake work is performed. Failure to comply can result in cosmetic damage.

1. Clean front master cylinder cover, then remove the two screws that hold the cover in place.
2. Remove the original cover (with sight glass) and gasket.
3. Put new cover and gasket in position.
4. See Service Parts illustration. Install the new cover screws (1) and tighten to 12-15 **in-lbs** (1.4-1.7 Nm).

#### CAUTION

Direct contact of D.O.T. 4 brake fluid with eyes can cause irritation. Avoid eye contact. In case of eye contact flush with large amounts of water and get medical attention. Swallowing large amounts of D.O.T. 4 brake fluid can cause digestive discomfort. If swallowed, obtain medical attention. Use in well ventilated area. **KEEP OUT OF REACH OF CHILDREN.**

#### NOTE

The cover is labled for D.O.T. 4 brake fluid. Install this cover on reservoirs filled only with D.O.T. 4 brake fluid. Do not mix grades of brake fluid. as they are not compatible and could cause equipment damage.

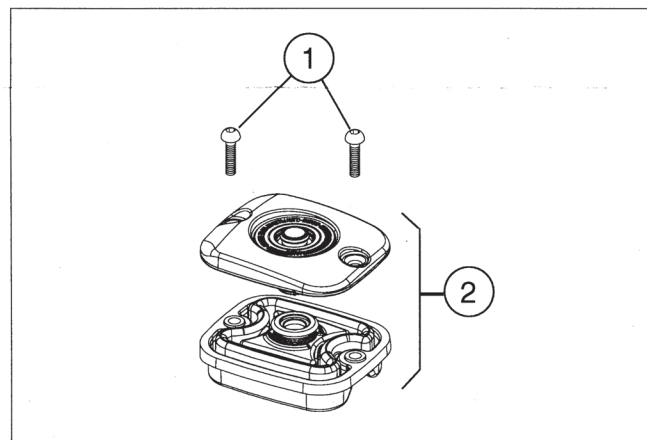


Figure 1.