

VT No. 27-0440

Installation Requirements

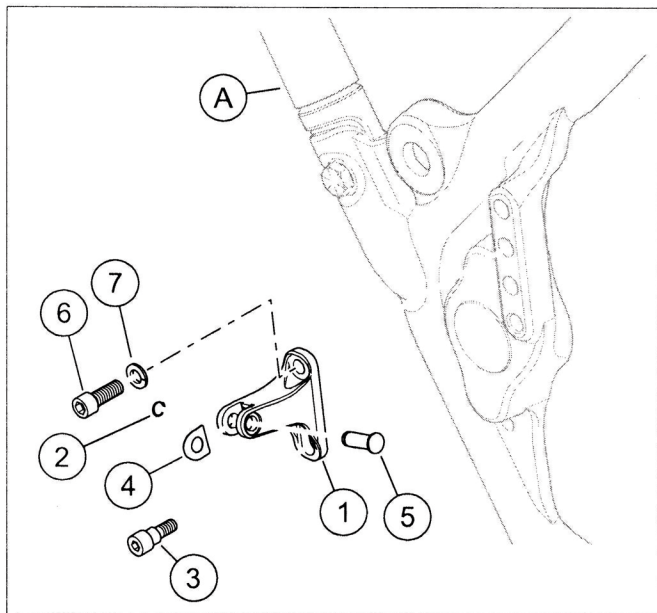
Separate purchase and installation of other parts or accessories may be required for proper installation of this kit on your model motorcycle.

WARNING

The rider's safety depends upon the correct installation of this kit. Use the appropriate service manual procedures. If the procedure is not within your capabilities or you do not have the correct tools, have a dealer perform the installation. Improper installation of this kit could result in death or serious injury.

NOTE

This instruction sheet references service manual information. A service manual for your model motorcycle is required for this installation. Service manuals are available from a dealer.



Contents

Item	Description (Quantity)	Part Number
1	Support, RH (shown)	50500332
	Support, LH (not shown)	50500334
2	Retaining ring (2)	11304
3	Screw, shoulder 2)	4916
4	Spring washer (2)	50912-72
5	Clevis pin (2)	45041-01A
6	Screw, socket head (2)	3143
7	Lockwasher (2)	Not Sold Separately
Items mentioned in text, but not included in kit.		
A	Frame	

REMOVAL

WARNING

Wear safety glasses or goggles when removing or installing retaining rings. Retaining rings can slip from the pliers and could be propelled with enough force to cause serious eye injury.

1. See service manual. Remove the passenger footpeg or mini footboard.
2. Repeat steps for the opposite side.

INSTALLATION

NOTES

2010 and later Touring motorcycles: Three holes are available in the rear fork brackets for footboard bracket mounting. The footboards can be installed in any of three positions for passenger comfort. A plastic plug in the upper hole can be removed.

2009 and earlier Touring motorcycles: The lowest hole is not usable because the hole is not threaded.

1. See Figure 1. Align support (1) with appropriate mounting holes.
 - a. **2010 and Later Models:** Install shoulder screw (3) into the lowest hole in the rear swingarm bracket of the frame.
 - b. **All Other Models:** Align bracket with desired mounting hole. Install shoulder screw (3).
2. Tighten to 48-72 in-lbs (5-8 Nm).
3. At the desired height, install the upper screw (6) and lockwasher (7). Tighten to 36-42 ft-lbs (49-56 Nm).
4. Follow instructions in service manual to install footpeg or mini footboard. Install clevis pin (5) and retaining ring (2).
5. Repeat steps for the opposite side.