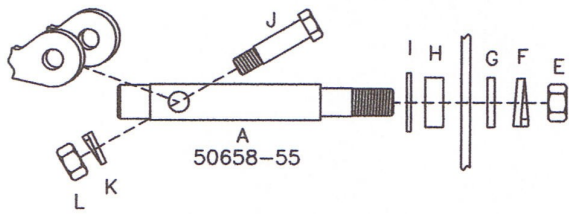
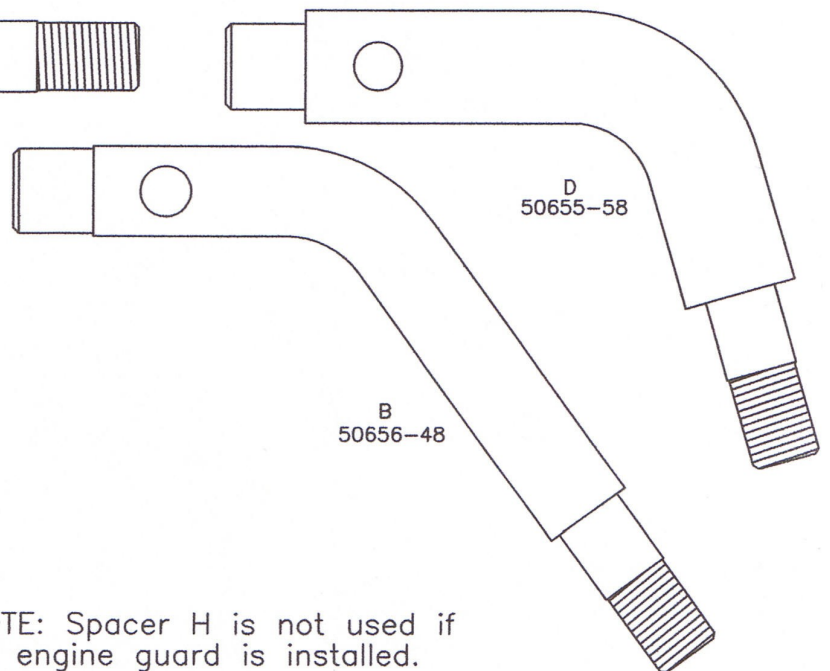
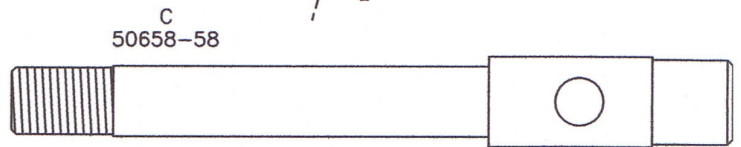
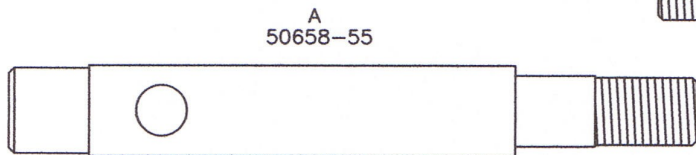
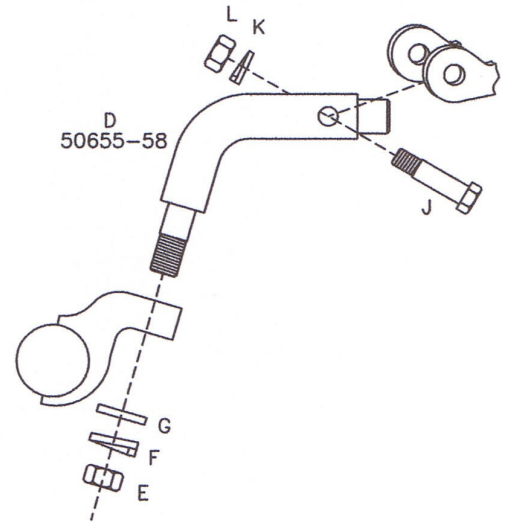
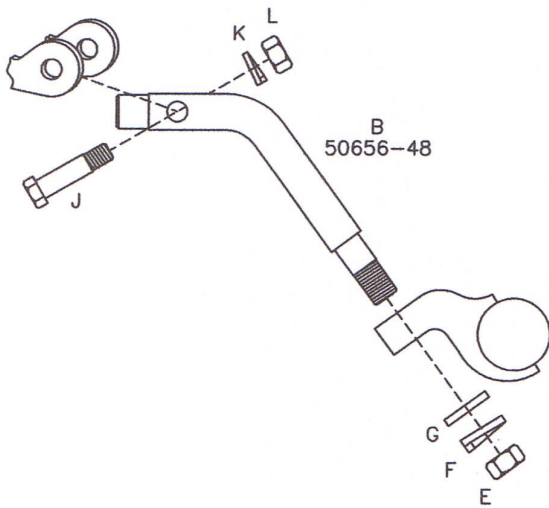
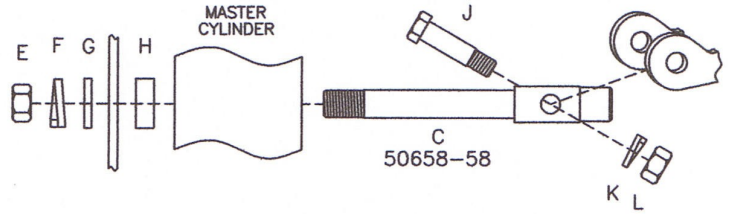


# 58-64 FOOT BOARD MOUNT KIT VT 27-1721

LEFT SIDE



RIGHT SIDE



ITEM	DESCRIPTION	QUANTITY
A	Left front mount	1
B	Left rear mount	1
C	Right front mount	1
D	Right rear mount	1
E	3/8-24NF hex nut	4
F	3/8 split lock washer	4
G	3/8 heavy washer	4
H	Spacer	2
I	3/8 flat washer	1
J	Shoulder screw	4
K	1/4 split lock washer	4
L	1/4-20NC hex nut	4

NOTE: Spacer H is not used if an engine guard is installed.