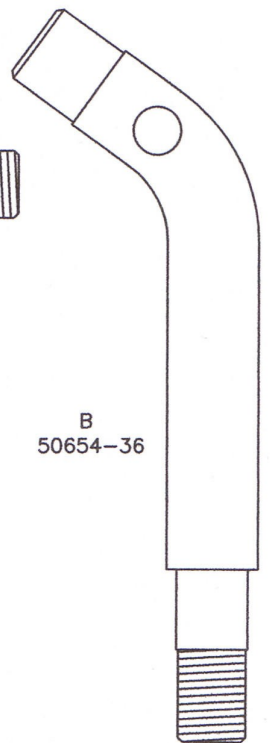
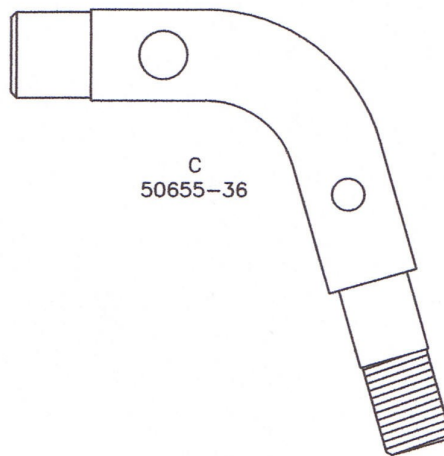
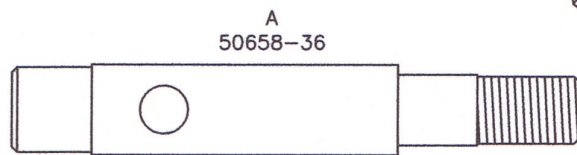
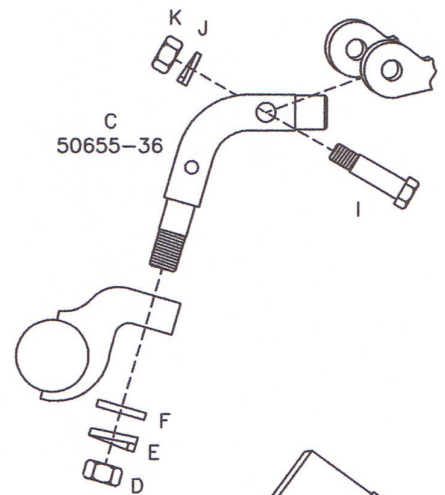
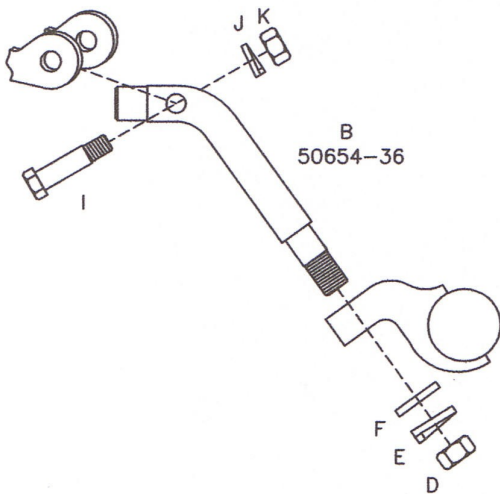
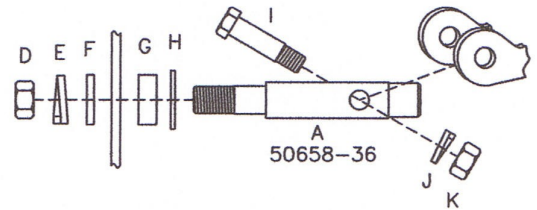
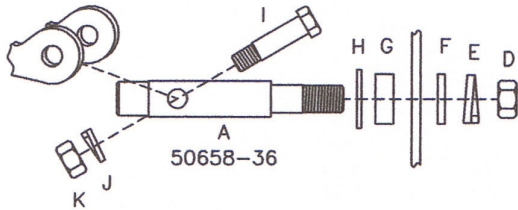


36-54 FOOT BOARD MOUNT KIT VT 27-1722

LEFT SIDE

RIGHT SIDE



ITEM	DESCRIPTION	QUANTITY
A	Front mount	2
B	Left rear mount	1
C	Right rear mount	1
D	3/8-24NF hex nut	4
E	3/8 split lock washer	4
F	3/8 heavy washer	4
G	Spacer	2
H	3/8 flat washer	2
I	Shoulder screw	4
J	1/4 split lock washer	4
K	1/4-20NC hex nut	4

NOTE: Spacer G is not used if an engine guard is installed.