

HANDLEBAR SWITCH CAP KITS

GENERAL

VT No. 32-0564, 32-1093, 32-0563, 32-1092, 32-0562, 32-1091, 32-1094, 32-0581, 32-1085

Models

These kits contain complete sets of chrome switch caps for the left and right handlebar switches. These caps are direct replacements for the standard equipment black switch caps.

WARNING

Rider and passenger safety depend upon the correct installation of this kit. Use the appropriate service manual procedures. If the procedure is not within your capabilities or you do not have the correct tools, have a dealer perform the installation. Improper installation of this kit could result in death or serious injury.

NOTE

This instruction sheet references service manual information. A service manual for your model motorcycle is required for this installation and is available from a dealer.

Kit Contents

See Figure 5 and Table 2.

REMOVAL

1. Open or remove seat according to the instructions in the service manual.

WARNING

To prevent accidental vehicle start-up, which could cause death or serious injury, disconnect battery cables (negative (-) cable first) before proceeding.

WARNING

Disconnect negative (-) battery cable first. If positive (+) cable should contact ground with negative (-) cable connected, the resulting sparks can cause a battery explosion, which could result in death or serious injury.

WARNING

To prevent accidental vehicle start-up, which could cause death or serious injury, remove main fuse before proceeding.

2. Disconnect battery cables, negative (-) cable first or remove the main fuse.

3. Remove left and right side switch housing assemblies. Refer to the service manual.

NOTE

It is not necessary to disconnect the switch wiring to replace the switch caps.

4. Remove individual switches from switch housing. Refer to the service manual.

INSTALLATION

Upper Housing Switches

1. For horn and start switch caps, release torsion spring leg from hole in switch cap tab. Take note of the spring orientation. The other leg of the spring can remain in the switch bracket hole.

2. See Figure 1 and Figure 5. Carefully pry stock black switch cap up off the splined actuator shaft (2) on left side of switch.

3. Pry the switch cap up and away from pivot pin (3) on right side of switch and remove cap.

NOTE

Use the clear protective cover film to protect the chrome surface of the switch caps during installation. Remove the film after the installation is complete.

4. See Figure 5. Select proper chrome replacement switch cap from kit.
5. See Figure 1. Place cap onto switch, angling the hole on right side over pivot pin (4) on switch.
6. Carefully press switch cap down onto splined actuator shaft (5), rocking and moving the cap until shaft snaps into place in splined hole.
7. For horn and start switch caps, insert torsion spring leg into hole in switch cap tab.
8. Toggle switch back and forth, checking for proper operation.

- 1 Switch cap installed correctly
- 2 Switch cap removal from splined shaft
- 3 Switch cap removal from pivot pin
- 4 Switch cap installation onto pivot pin
- 5 Switch cap installation onto splined shaft

Figure 1. Switch Cap Removal and Replacement
Turn Signal Switches

See Figure 1 and Figure 5. Carefully pry stock black switch cap up off the splined actuator shaft (2) on switch.

Pry the switch cap up and away from pivot pin (3) on switch, and remove cap.

Select proper chrome replacement switch cap from kit.

See Figure 1. Place cap onto switch, angling the hole on top over pivot pin (4) on switch.

Carefully press switch cap onto splined actuator shaft (5), rocking and moving the cap until shaft snaps into place in splined hole.

Toggle switch back and forth, checking for proper operation.

Switch Cap Replacement

NOTE

The switch cap removal tool is tapered on both ends to assist in the removal of the switch caps. As the tool is pushed under the switch cap, the tapered ends will slowly push the switch cap off of the switch pin. Do not use the switch cap removal tool as a pry bar. This will damage the switch cap and switch housing.

The cruise control switch cap must be removed first before attempting to remove the mode select switch cap.

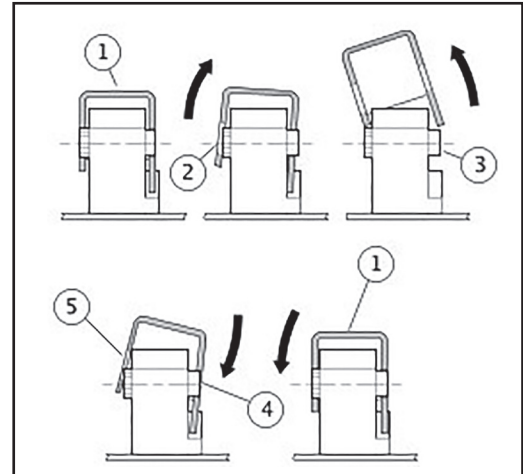
- 1 Switch cap removal tool
- 2 Cruise control switch
- 3 Mode select switch, UP/DOWN
- 4 Switch cap removal tool, short end
- 5 Switch cap removal tool, long end

Figure 2. Cruise Control and Mode Select Switch Caps

1. See Figure 2. Use short end (4) of tool to remove cruise control switch cap (2). Push upwards under switch cap. The tool taper will slowly push the switch cap off switch pin.
2. See Figure 3. Use long end (Figure 2 , Item 5) of tool (1) and push tool straight and under mode switch cap until it is disengaged from switch pin (2) to remove mode select switch cap (3).
3. Pull stock black switch cap from switch shaft. If there is a metal clip in the old switch cap, insert copper clip from kit into new chrome cap.

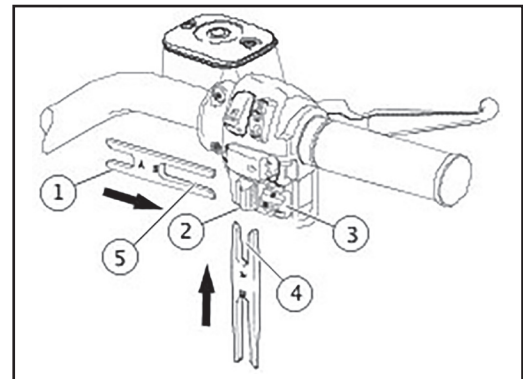
4. See Figure 5. Select proper chrome replacement switch cap from kit, then slide the cap onto the shaft.

NOTE



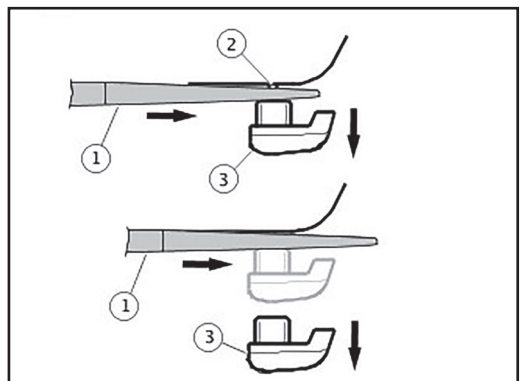
- 1 Switch cap installed correctly
- 2 Switch cap removal from splined shaft
- 3 Switch cap removal from pivot pin
- 4 Switch cap installation onto pivot pin
- 5 Switch cap installation onto splined shaft

Figure 1. Switch Cap Removal and Replacement



- 1 Switch cap removal tool
- 2 Cruise control switch
- 3 Mode select switch, UP/DOWN
- 4 Switch cap removal tool, short end
- 5 Switch cap removal tool, long end

Figure 2. Cruise Control and Mode Select Switch Caps



- 1 Switch cap removal tool
- 2 Switch pin
- 3 Mode select switch cap

Figure 3. Mode Select Switch Cap

The cap will fit snugly to prevent the cap from loosening during regular operation.

5. Toggle the switch back and forth, checking for proper operation.

NOTE

The switch cap removal tool is tapered on both ends to assist in the removal of the switch caps. As you push the tool under the switch cap, the tapered ends will slowly push the switch cap off of the switch pin.

Do not use the removal tool as a pry bar. This will damage the switch cap and switch housing.

For FLHTCU and FLTR Models: The SQ-/PTT/SQ+ switch cap must be removed before attempting to remove the audio control switch cap.

]

1 Switch cap removal tool

2 Switch pin

3 Mode select switch cap

Figure 3. Mode Select Switch Cap

6. See Figure 4. Use short end (4) of tool (1) to remove the SQ-/PTT/SQ+ switch cap (2). Push upwards under switch cap. The tool taper will slowly push switch cap off switch pin.

7. Use long end (5) of tool (1) to remove the audio control switch cap (3).

1 Switch cap removal tool

2 SQ-/PTT/SQ+ switch

3 Audio control switch, (+)/(-)

4 Switch cap removal tool, short end

5 Switch cap removal tool, long end

Figure 4. SQ-/PTT/SQ+ and Audio Control Switch Caps

Assemble Switches

1. Assemble individual switches back into switch housings. Use care when installing switches to avoid damage. Refer to the service manual.

2. Assemble left and right side switch housing assemblies. Refer to the service manual. Remove and discard clear protective installation covers.

WARNING

Connect positive (+) battery cable first. If positive (+) cable should contact ground with negative (-) cable connected, the resulting sparks can cause a battery explosion, which could result in death or serious injury. (00068a)

3. Connect battery cables, positive (+) cable first or install the main fuse.

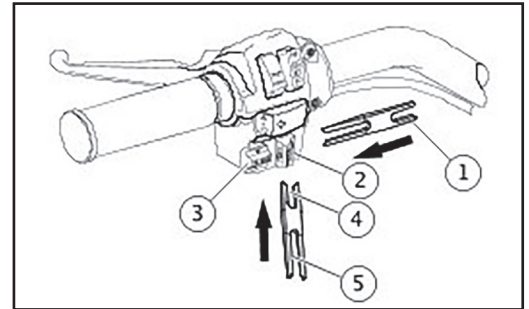
WARNING

After installing seat, pull upward on seat to be sure it is locked in position.

While riding, a loose seat can shift causing loss of control, which could result in death or serious injury.

4. Install seat according to the instructions in the service manual.

5. Test all the handlebar switches for proper operation.



- 1 Switch cap removal tool
- 2 SQ-/PTT/SQ+ switch
- 3 Audio control switch, (+)/(-)
- 4 Switch cap removal tool, short end
- 5 Switch cap removal tool, long end

Figure 4. SQ-/PTT/SQ+ and Audio Control Switch Cap

SERVICE PARTS

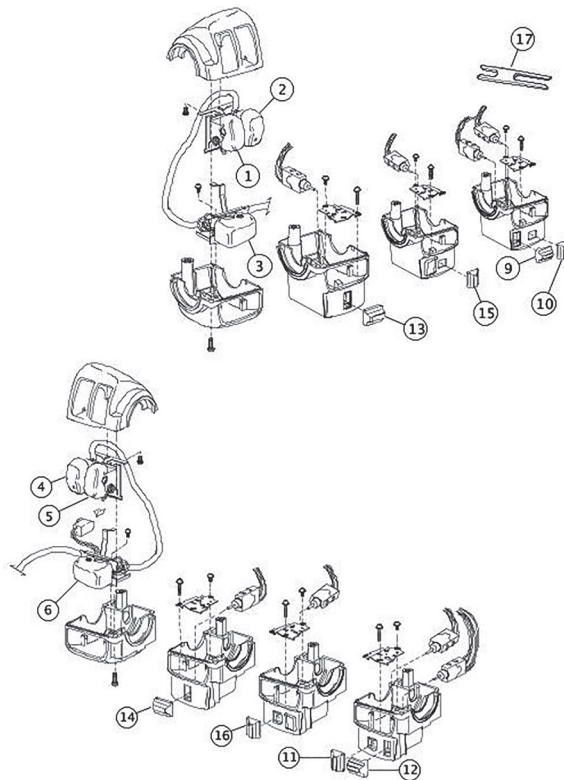


Figure 5. Service Parts: Chrome Handlebar Switch Caps

Table 2. Service Parts: Chrome Handlebar Switch Caps

Service Part

| Item | Description (Quantity) | Part Number |
|--|---|---------------------|
| Common Items for All Kits: | | |
| 1 | Switch cap, HORN | Not Sold Separately |
| 2 | Switch cap, LIGHTS HI/LO | Not Sold Separately |
| 3 | Switch cap, left turn arrow | Not Sold Separately |
| 4 | Switch cap, START | Not Sold Separately |
| 5 | Switch cap, OFF/ENGINE STOP/RUN | Not Sold Separately |
| 6 | Switch cap, right turn arrow | Not Sold Separately |
| Kit 71802-03 - Additional Contents: | | |
| 9 | Switch cap, AUDIO +/- includes copper clip | 71727-03 |
| 10 | Switch cap, PTT/SQ-/SQ+ includes copper clip | 71730-03 |
| 11 | Switch cap, RES/SET includes copper clip | 71729-03 |
| 12 | Switch cap, MODE SEL UP/DN includes copper clip | 71728-03 |
| 17 | Switch cap removal tool | |
| Not Sold Separately | | |
| Kit 71803-03 - Additional Contents: | | |
| 13 | Switch cap, AUDIO +/- includes copper clip | 71732-03 |
| 14 | Switch cap, MODE SEL UP/DN includes copper clip | 71733-03 |
| 17 | Switch cap removal tool | |
| Not Sold Separately | | |
| Kit 71804-03 - No additional items in kit. | | |
| Kit 71808-03 - Additional Contents: | | |
| 15 | Switch cap, RES/SET (chrome) includes copper clip | 71729-03 |
| 16 | Switch cap, CRUISE OFF/ON (chrome) includes copper clip | 71731-03 |