

VT No. 33-0546 Passing Lamp Rings

This kit fits 1962-up motorcycles equipped with passing lamps. Will also fit passing lamp accessory kit 68250-80.

Installation

1. Loosen the screw from the left original equipment passing trim and remove ring.
2. Remove the screw and nut from accessory trim ring assembly and set aside temporarily.
3. See Figure 1. If not already installed, place one rubber strip inside the trim ring as shown.

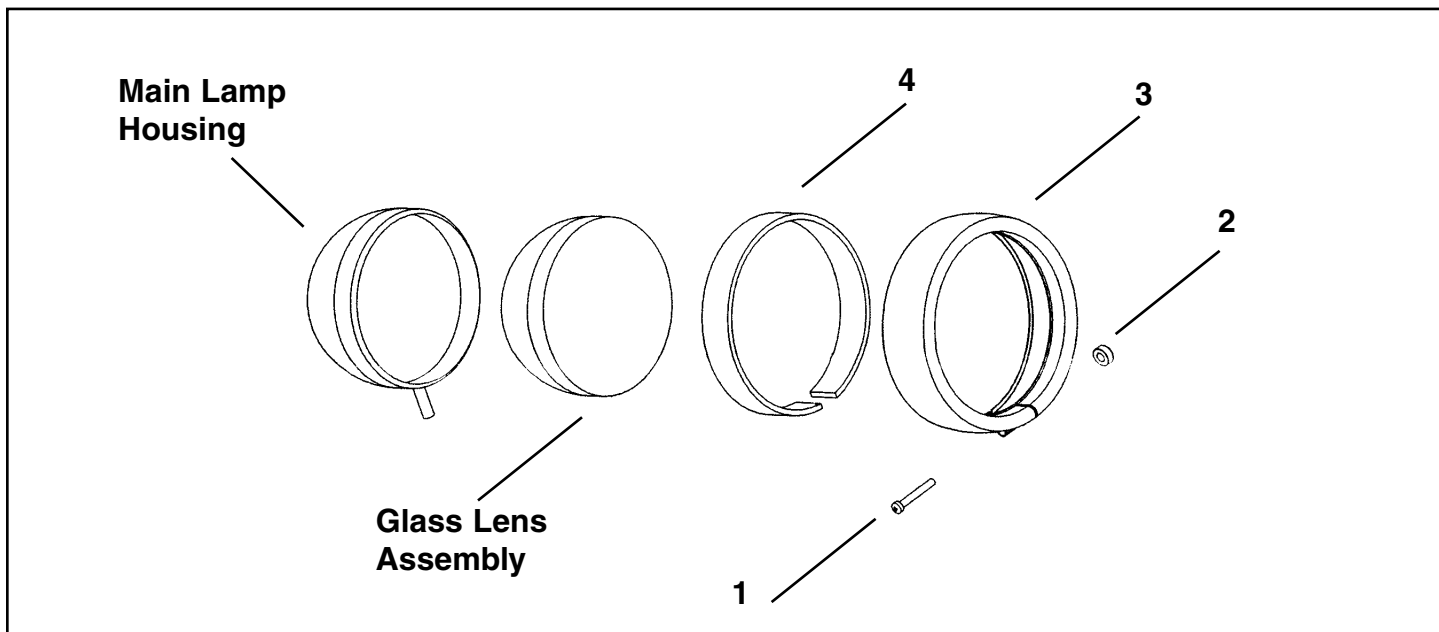


Figure 1: Trim Ring with Rubber Seal Installed

4. Insert the glass lens assembly inside the new trim ring with the rubber strip already installed.

Note: Rotating the lens may help insertion.

5. Install the trim ring onto the main lamp housing. Lug (or lugs) on the back of the glass lens assembly must be aligned with the notches in the main lamp housing. Assemble the nut and screw. Tighten securely.
6. Perform steps 1 through 5 for the right passing lamp.



#	Description
1	Screw
2	Nut
3	Trim Ring
4	Rubber Strip (1.25" x 25")

This is a custom application and rider safety depends on proper installation. This product should only be installed by a knowledgeable and trained motorcycle technician. V-Twin Mfg. accepts no responsibility for improper installation.