

LED HEADLAMP KIT

Installation Requirements

WARNING

NOTE

This instruction sheet refers to service manual information. A service manual for this year/model motorcycle is required for this installation.

Kit Contents

See Figure 5 and Table 1.

REMOVAL

WARNING

To prevent accidental vehicle start-up, which could cause death or serious injury, disconnect battery cables (negative (-) cable first) before proceeding.

WARNING

Disconnect negative (-) battery cable first. If positive (+) cable should contact ground with negative (-) cable connected, the resulting sparks can cause a battery explosion, which could result in death or serious injury.

WARNING

To prevent accidental vehicle start-up, which could cause death or serious injury, remove main fuse before proceeding.

1. See the service manual to remove the main fuse.
2. See the service manual. Follow the instructions to replace the headlamp, removing any trim rings and hardware.
All Models except Touring: Save the hardware, retaining ring and trim ring for installation.
Touring Models: On black version, use the black retainer ring included in the kit.
FL Softail and Freewheeler™ Models: Do not use the black retainer ring included in the kit.
3. **Touring Models:** If motorcycle has a mounting ring: Remove the mounting ring and mounting ring hardware. Discard the mounting ring and headlamp.
4. Disconnect the harness. To remove the headlamp:
 - a. **2006-2010 FLHTCUSE Models:** Unplug cigar lighter and garage door opener to remove existing jumper harness.
 - b. **All other Models:** Remove existing jumper harness.

INSTALLATION

WARNING

Connect positive (+) battery cable first. If positive (+) cable should contact ground with negative (-) cable connected, the resulting sparks can cause a battery explosion, which could result in death or serious injury.

1. If motorcycle has a mounting ring, see the service manual to install the new mounting ring.
2. Connect the harness to headlamp:
Use supplied wire harness to connect to LED headlamp and harness for all **2014 and earlier models.**
3. See the service manual and follow the instructions to install the headlamp.

⚠ WARNING

After installing seat, pull upward on seat to be sure it is locked in position. While riding, a loose seat can shift causing loss of control, which could result in death or serious injury.

4. Install seat (if removed) according to the instructions in the service manual.

HEADLAMP ALIGNMENT PROCEDURE

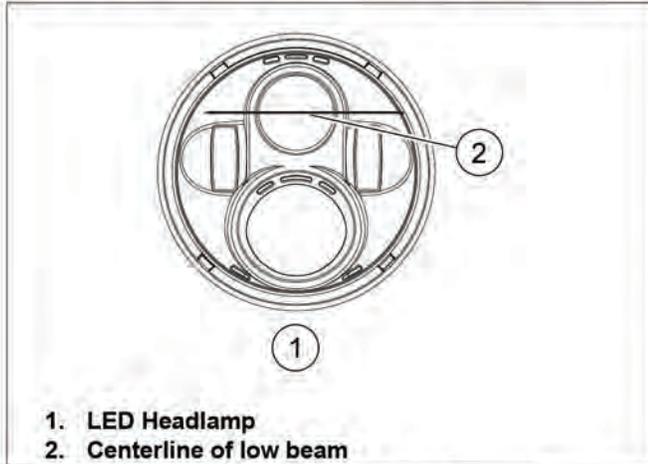


Figure 1. LED Headlamp Configuration

NOTE

The alignment procedure for an LED headlamp is performed on both the **low beam** and the **high beam**. Read these instructions thoroughly to align the LED headlamp.

1. Check tire pressure. See the owner's manual.
2. Fill fuel tank or add an equal amount of ballast.
3. See Figure 2. Position motorcycle so front axle is 25 ft (7.6 meters) (3) from wall.

NOTE

The weight of the rider compresses the suspension slightly. Have a person whose weight is roughly the same as the principal rider sit on the motorcycle.

4. See Figure 2. With vehicle laden and upright, point the front wheel straight forward at wall. Measure the distance from the floor to the center of the **low beam** lens (4). Record this measurement.
5. See Figure 1. Draw a horizontal line on the wall at (5) on the wall that is the same measurement as recorded in Step 4.
6. Draw a vertical line (2) off the perpendicular line (1) so it crosses through the horizontal line drawn in the previous step.
7. Verify that all lights are OFF during the alignment procedure.

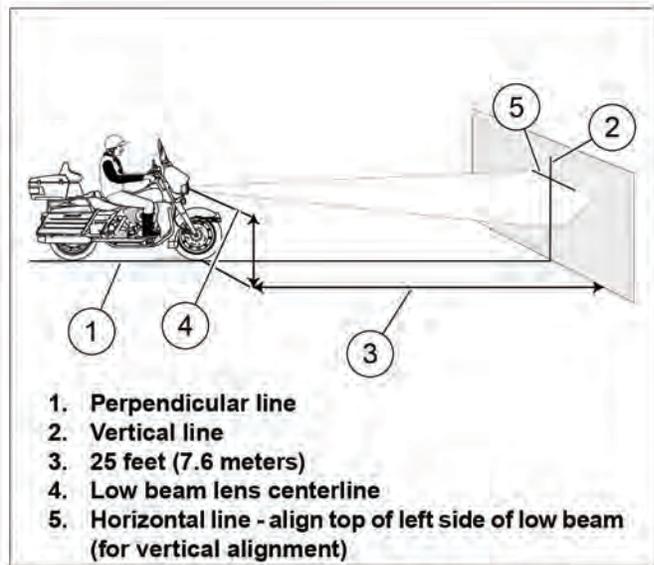


Figure 2. Checking Headlamp Alignment

Alignment of High Beam (Left-to-Right Alignment)

1. Verify that the headlamp lens is perpendicular to the front forks for proper left-to-right alignment.
2. See Figure 3. With vehicle laden and upright, point the front wheel straight forward at wall.
3. Turn on the **high beam**. Align the center of the **high beam** hot spot with the intersection of the horizontal and vertical lines (3).

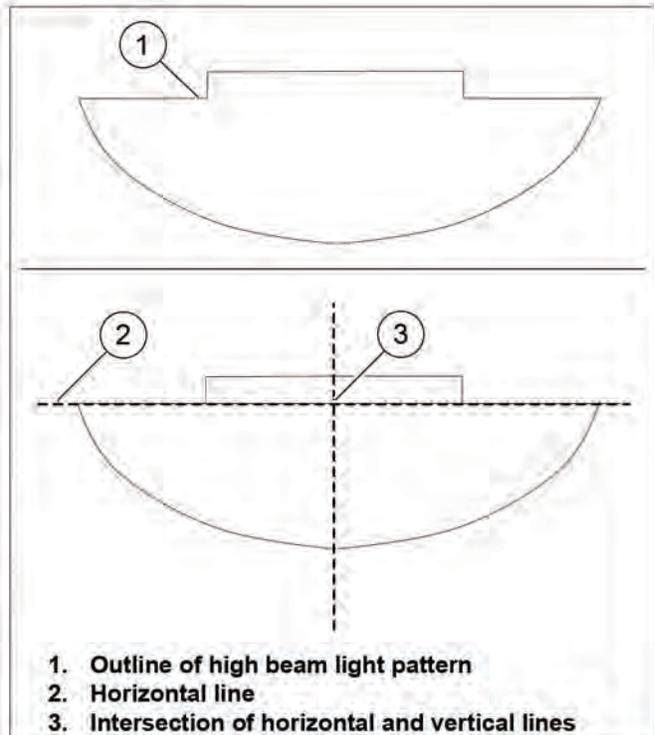


Figure 3. Alignment of Headlamp High Beam

Alignment of Low Beam (Vertical Alignment)

1. See Figure 4. Align the left side of the horizontal line of the **low beam** light pattern (3) with horizontal line (2) drawn on the wall. If necessary, adjust the headlamp position by following the adjustment procedure in the service manual.

Table 1. LED Headlamp Kit

Item	Description (Quantity)
Kit Number 33-1106	
1	Wire harness, LED headlamp
2	LED headlamp (chrome)
Kit Number 33-1107	
1	Wire harness, LED headlamp
2	LED headlamp (black)
3	Retaining ring (black)
Kit Number 33-1104	
1	Wire harness, LED headlamp
2	LED headlamp (chrome)
4	Washer (8)
5	Mounting ring
Kit Number 33-1105	
1	Wire harness, LED headlamp
2	LED headlamp (black)
3	Retaining ring (black)
4	Washer (8)
5	Mounting ring

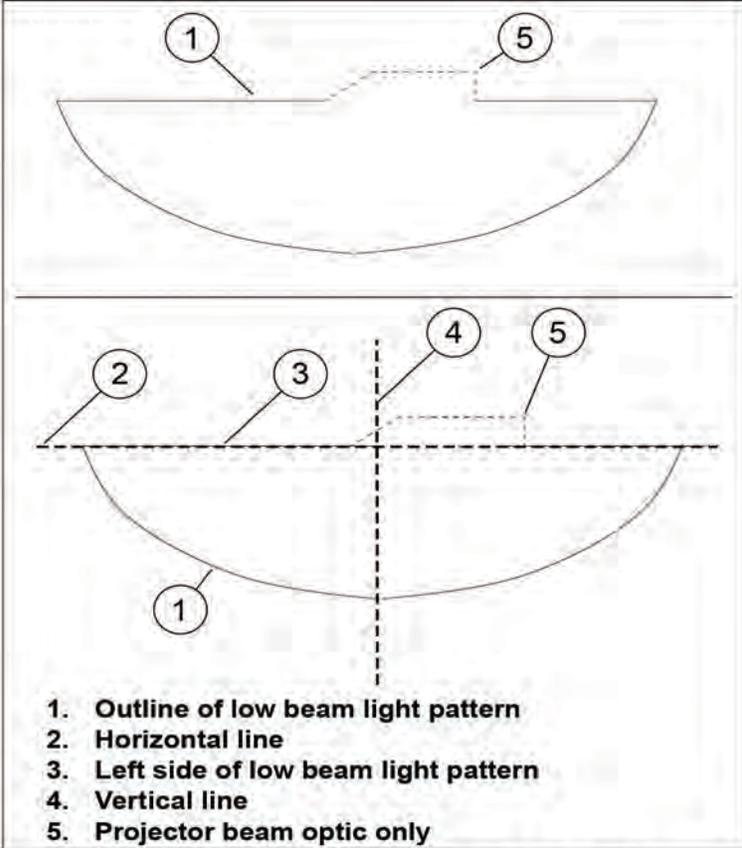


Figure 4. Alignment of Headlamp Low Beam

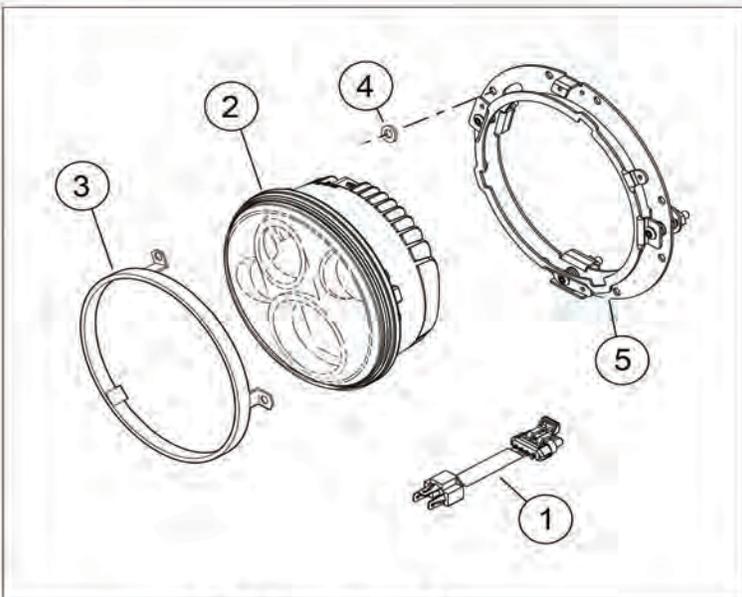


Figure 5. LED Headlamp Kit