

ATTENTION INSTALLER (if other than owner): Please forward this Instruction Sheet to the purchaser of this product. These instructions contain valuable information necessary to the end user.

INTRODUCTION: These instructions describe the procedure for properly installing the replacement electronic speedometer with tachometer in 96-03 Softails, Dyna Wide Glides, and Road Kings.

Review instructions carefully before beginning, as they contain important information. Please retain for future reference. Particularly important information is distinguished in these instructions by the following notations:

NOTE: A NOTE: provides key information to make procedures easier or clearer.

CAUTION: A CAUTION: Indicates special procedures that must be followed to avoid damage to the motorcycle and/or accessories.

WARNING!: A WARNING!: Indicates special procedures that must be followed to avoid injury to a motorcycle operator or person inspecting or repairing the motorcycle.

PROCEDURE:

WARNING!: Disconnect the battery by first removing the negative battery cable.

NOTE: The installation of this speedometer head will require a sub wire harness on most models. Please use the sub wire harnesses listed below for the appropriate model:

Tach wire harness, required all models, all years

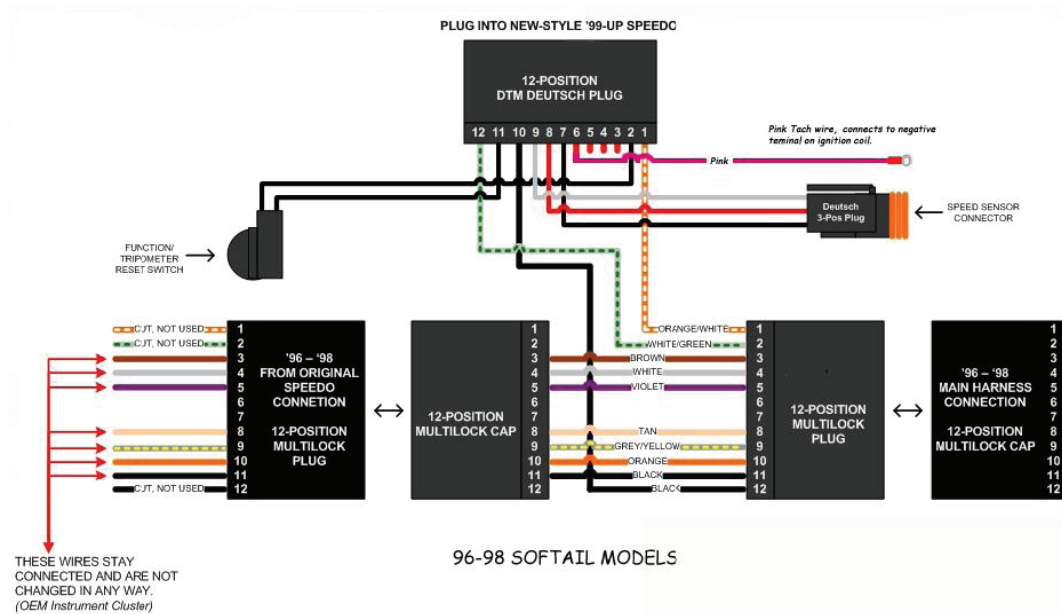
VT No. 32-1336

Speedometer sub wire harnesses, use as required:

Fits	VT No.
96-98 Softail models	32-0587
99-03 Softail models	Not required
96-97 FXDWG models	32-1334
98 FXDWG, FLHR models	32-1335
99-03 FXDWG models	Not required
96-97 FLHR models	39-0768
99-03 FLHR models	Not required

WARNING!: Disconnect the battery by first removing the negative battery cable.





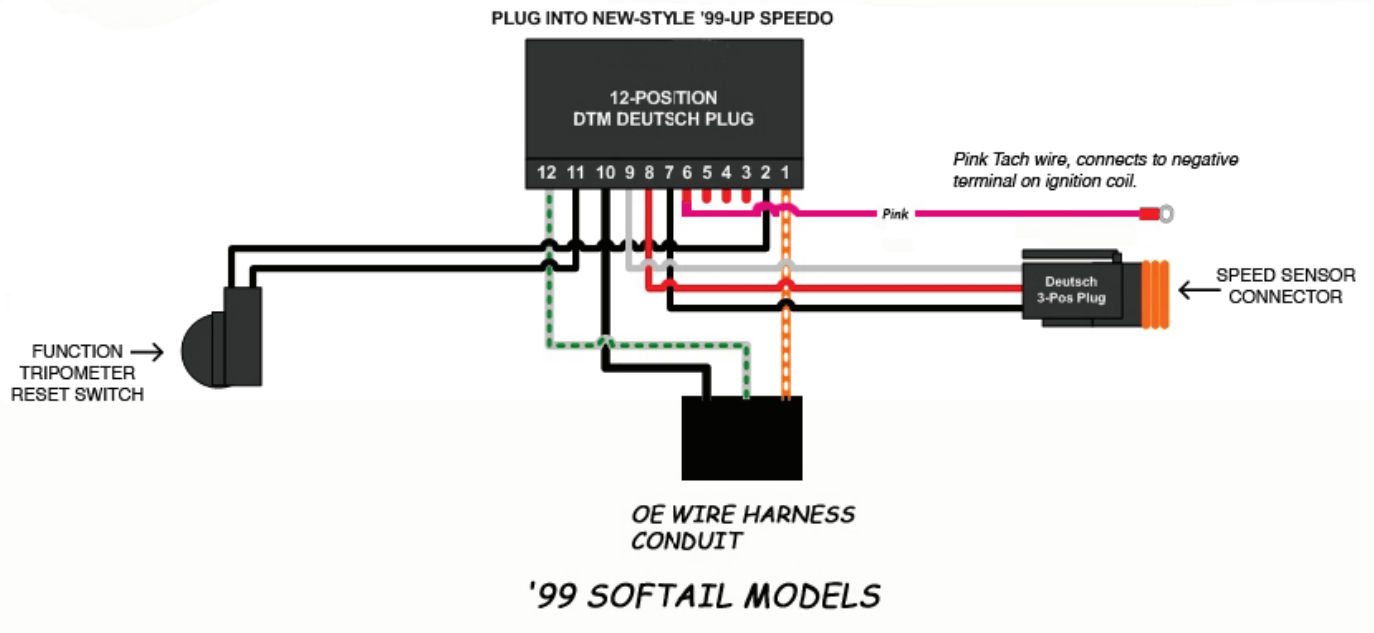
96-98 SOFTTAIL MODELS:

NOTE: Installation of this later version of speedometer head onto 96-98 Softtail models will require the use of a sub wire harness, 32-0587. Remove the instrument panel nut and lift panel from tank. Disconnect the 12-pin connector to the speedometer and also the connector at the ignition switch and remove the dash panel from the bike.

2. Remove the speedometer trip reset switch from the dash panel.
3. Disconnect the three-wire connection going to the speedometer sensor in the transmission.
4. On the back of the original speedometer, you will find that there are three wires from the speedometer to the 12-pin connector. Either remove these three wires from the connector, or cut them to separate the speedometer from the 12-pin connector.

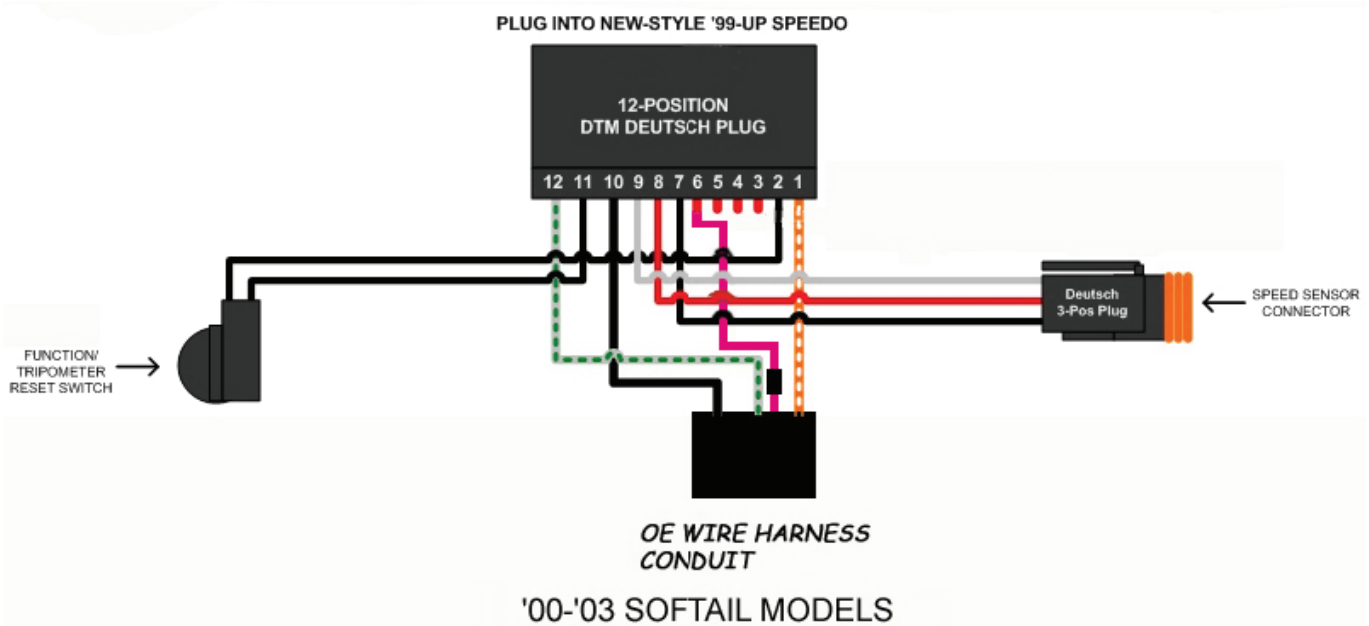
NOTE: These three wires should be color-coded with one being orange/white, one white/green, and one black.

5. If you cut the wires, tape them off so there is no chance of any wire shorting out.
 6. Remove the speedometer head by releasing the three latches under the speedometer and removing the speedometer head through the top of the dash panel.
 7. Install the original rubber gasket from the old speedometer onto the new speedometer and install the new speedometer into the dash panel. Make sure all three latches are secure.
 8. Install 32-0587 sub wire harness in between the two original wire harness connectors. Make sure that both connectors are fully seated and locked.
 9. Install the new reset switch into the dash housing.
 10. Obtain the pink wire from the tachometer wire harness kit, 32-1336
 11. Install the ring terminal on the end of the pink wire. Use the proper crimping tool.
 12. Route the pink wire from console down to the ignition coil.
 13. Install the ring terminal on the negative primary terminal of the ignition coil.
- NOTE: The negative terminal is the terminal with a pink wire already installed on it.
14. Install the terminal on the other end of the pink wire into the 12-pin connector, in position # 6.
 15. Confirm that there is no wire installed in pin location # 3 in the 12-pin connector.
 16. Plug the new 12-pin connector into the mating connector on the back of the speedometer head.
 17. Reconnect the ignition switch connector under the dash.
 18. Connect the three-wire connector to the existing speed sensor.
 19. Center the dash panel over the gas tank and install the mounting hardware to secure the dash panel.
 20. Reconnect the battery cables, making sure that the negative cable is always reconnected last.
 21. Check operation of the speedometer and all indicator lamps.
 22. Clear diagnostic codes by doing the following steps:
 23. Turn the ignition from Off to On while holding in the reset button on the dash.
 24. The code "d01Clr" will be displayed; release the reset button.
 25. Press the reset button again and hold in button. Code "d02Set" will be shown. Hold in button until code "d02Clr" is displayed. This indicates that the set code has been cleared. Release the reset button.
 26. Exit the diagnostic mode by turning the ignition switch from On to Off to On, without holding in the reset button on the dash panel.



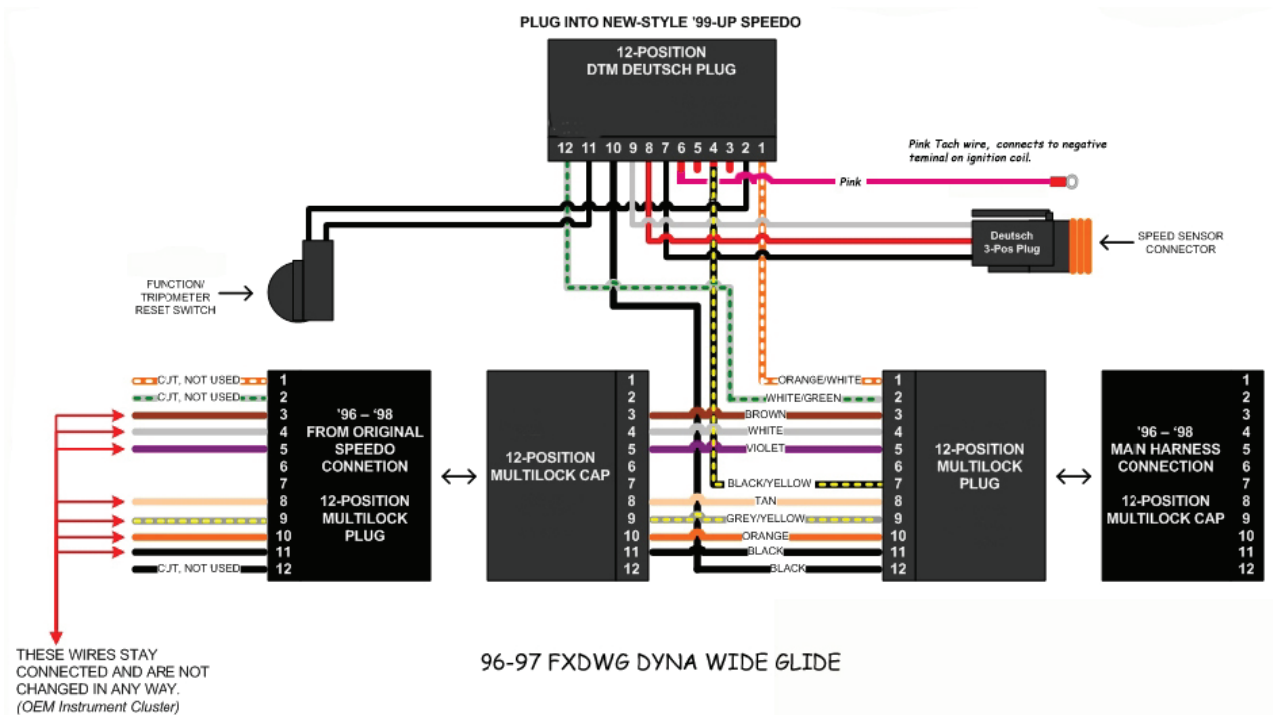
'99 SOFTAIL MODELS:

1. Remove the instrument panel nut and lift panel from tank. Disconnect the 12-pin connector to the speedometer and remove the dash panel from the bike.
2. Remove the speedometer trip reset switch from the dash panel.
3. Remove the speedometer head by releasing the three latches under the speedometer and removing the speedometer head through the top of the dash panel.
4. Install the original rubber gasket from the old speedometer onto the new speedometer and install the new speedometer into the dash panel. Make sure all three latches are secure.
5. Obtain the pink wire from the tachometer wire harness kit, 32-1336
6. Install the ring terminal on the end of the pink wire. Use the proper crimping tool.
7. Route pink wire from console down to the ignition coil.
8. Install the ring terminal on the negative primary terminal of the ignition coil.
9. Install the terminal on the other end of the pink wire into the 12-pin connector in position # 6.
10. Confirm that there is no wire installed in pin location # 3 in the 12-pin connector.
11. Install the reset switch into the dash housing.
12. Plug the new 12-pin connector into the mating connector on the back of the speedometer head.
13. Reconnect the ignition switch connector under the dash.
14. Connect the three-wire connector to the existing speed sensor.
15. Center the dash panel over the gas tank and install the mounting hardware to secure the dash panel.
16. Reconnect the battery cables, making sure that the negative cable is always reconnected last.
17. Check operation of the speedometer and all indicator lamps.
18. Clear diagnostic codes by doing the following steps:
19. Turn the ignition from Off to On while holding in the reset button on the dash.
20. The code "d0IClr" will be displayed; release the reset button.
21. Press the reset button again and hold in button. Code "d02Set" will be shown. Hold in button until code "d02Clr" is displayed. This indicates that the set code has been cleared. Release the reset button.
22. Exit the diagnostic mode by turning the ignition switch from On to Off to On, without holding in the reset button on the dash panel.



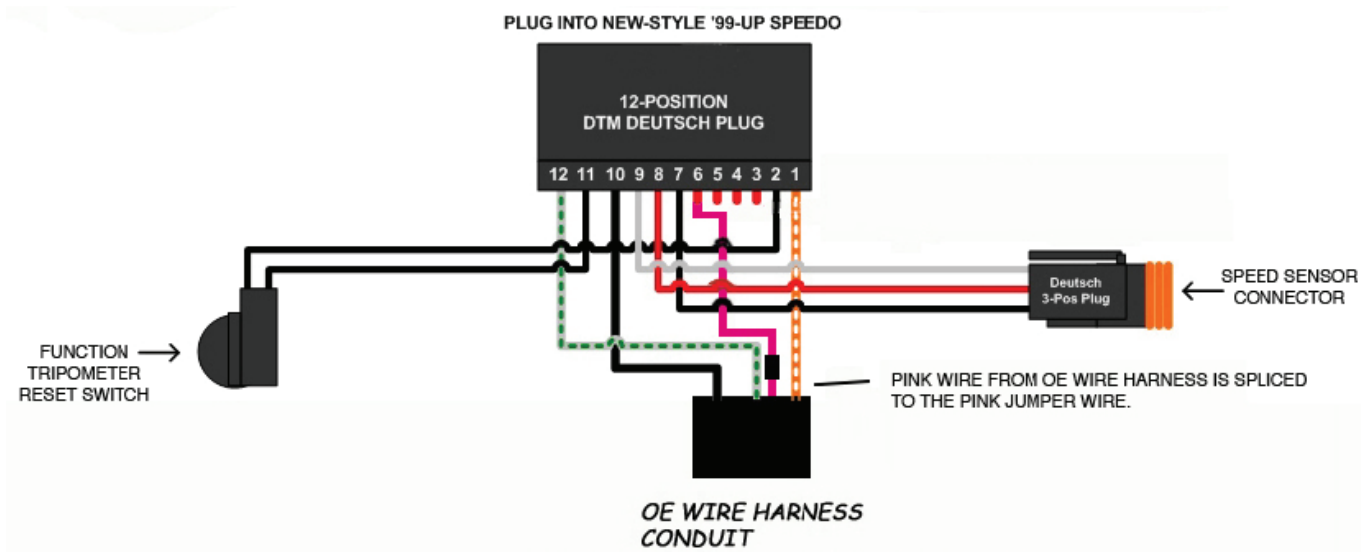
'00-'03 SOFTAIL MODELS:

1. Remove the instrument panel nut and lift panel from tank. Disconnect the 12-pin connector to the speedometer and also the connector at the ignition switch and remove the dash panel from the bike.
2. Remove the speedometer trip reset switch from the dash panel.
3. Remove the speedometer head by releasing the three latches under the speedometer and removing the speedometer head through the top of the dash panel.
4. Install the original rubber gasket from the old speedometer onto the new speedometer and install the new speedometer into the dash panel. Make sure all three latches are secure.
5. Obtain the pink wire from the tachometer wire harness kit, 32-1336
6. Locate the pink wire in the main wire harness going to the speedometer. It will be either tie wrapped to the outside of the conduit or tucked inside. If tucked inside, remove tie wrap from outside of conduit and slide the conduit back to reveal the pink wire.
7. Determine the correct length needed for pink wire and cut wire to length needed.
8. Connect the unfinished end of the pink wire from the wire harness kit to the pink wire in the main wire harness.
9. Install the terminal on the other end of the pink wire into the 12-pin connector in position # 6.
10. Confirm that there is no wire installed in pin location # 3 in the 12-pin connector.
11. Install the reset switch into the dash housing.
12. Plug the 12-pin connector into the mating connector on the back of the speedometer head.
13. Reconnect the ignition switch connector under the dash.
14. Center the dash panel over the gas tank and install the mounting hardware to secure the dash panel.
15. Reconnect the battery cables, making sure that the negative cable is always reconnected last.
16. Check operation of the speedometer and all indicator lamps.
17. Clear diagnostic codes by doing the following steps:
18. Turn the ignition from Off to On while holding in the reset button on the dash.
19. The code "d0IClr" will be displayed; release the reset button.
20. Press the reset button again and hold in button. Code "d02Set" will be shown. Hold in button until code "d02Clr" is displayed. This indicates that the set code has been cleared. Release the reset button.
21. Exit the diagnostic mode by turning the ignition switch from On to Off to On, without holding in the reset button on the dash panel.



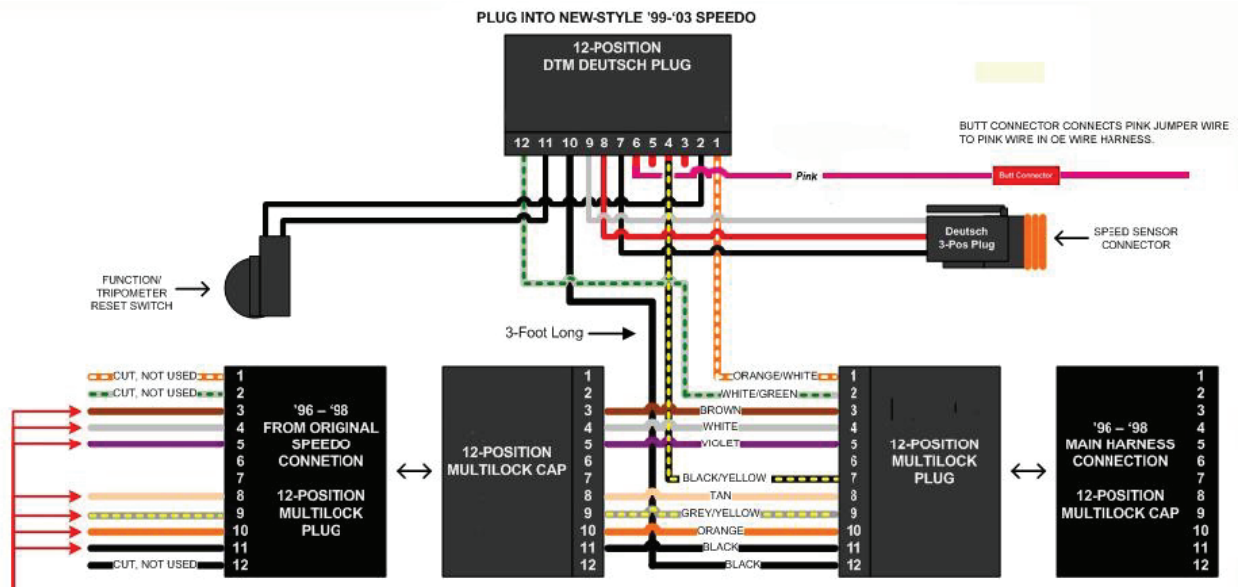
96-97 DYNA WIDE GLIDE MODELS: NOTE: Installation of this later version of speedometer head onto 96-97 Dyna Wide Glide models will require the use of a sub wire harness with 12-pin connectors, 32-1334.

1. Remove the instrument panel nut and lift panel from tank. Disconnect the 12-pin connector to the speedometer and also the connector at the ignition switch and remove the dash panel from the bike.
2. Remove the speedometer trip reset switch from the dash panel.
3. Disconnect the three-wire connection going to the speedometer sensor in the transmission.
4. On the back of the original speedometer, you will find that there are four wires from the speedometer to the 12-pin connector. Either remove these four wires from the connector, or cut them to separate the speedometer from the 12-pin connector.
NOTE: These four wires should be color-coded with one being orange/white, one white/green, one black/yellow and one black.
5. If you cut the wires, tape them off so there is no chance of any wire shorting out.
6. Remove the speedometer head by releasing the three latches under the speedometer and removing the speedometer head through the top of the dash panel.
7. Install the original rubber gasket from the old speedometer onto the new speedometer and install the new speedometer into the dash panel. Make sure all three latches are secure.
8. Install 32-1334 sub wire harness in between the two original wire harness connectors. Make sure that both connectors are fully seated and locked.
9. Install the new reset switch into the dash housing.
10. Obtain the pink wire from the tachometer wire harness kit, VT No. 32-1336
11. Install the ring terminal on the end of the pink wire. Use the proper crimping tool.
12. Route the pink wire from console down to the ignition coil.
13. Install the ring terminal on the negative primary terminal of the ignition coil.
NOTE: The negative terminal is the terminal with a pink wire already installed on it.
14. Install the terminal on the other end of the pink wire into the 12-pin connector in position # 6.
15. Confirm that there is no wire installed in pin location # 3 in the 12-pin connector.
16. Plug the new 12-pin connector into the mating connector on the back of the speedometer head.
17. Reconnect the original wires to the ignition switch.
18. Connect the three-wire connector to the existing speed sensor.
19. Center the dash panel over the gas tank and install the mounting hardware to secure the dash panel.
20. Connect the wires from the sub wire assembly to the existing wires from the speed sensor.
21. Reconnect the battery cables, making sure that the negative cable is always reconnected last.
22. Check operation of the speedometer and all indicator lamps.
23. Clear diagnostic codes by doing the following steps:
24. Turn the ignition from Off to On while holding in the reset button on the dash.
25. The code "d01Clr" will be displayed; release the reset button.
26. Press the reset button again and hold in button. Code "d02Set" will be shown. Hold in button until code "d02Clr" is displayed. This indicates that the set code has been cleared. Release the reset button.
27. Exit the diagnostic mode by turning the ignition switch from On to Off to On,



99-03 DYNA WIDE GLIDE MODELS:

1. Remove the instrument panel nut and lift panel from tank. Disconnect the 12-pin connector to the speedometer and also the connector at the ignition switch and remove the dash panel from the bike.
2. Remove the speedometer trip reset switch from the dash panel.
3. Remove the speedometer head by releasing the three latches under the speedometer and removing the speedometer head through the top of the dash panel.
4. Install the original rubber gasket from the old speedometer onto the new speedometer and install the new speedometer into the dash panel. Make sure all three latches are secure.
5. Obtain the pink wire from the tachometer wire harness kit, 32-1336.
6. Locate the pink wire in the main wire harness going to the speedometer. It will either be tie-wrapped to the outside of the conduit or tucked inside. If tucked inside, remove tie wrap from outside of conduit and slide the conduit back to reveal the pink wire.
7. Determine the correct length needed for the pink wire and cut wire to length needed.
8. Connect the unfinished end of the pink wire from the wire harness kit to the pink wire in the main wire harness.
9. Install the terminal on the other end of the pink wire into the 12-pin connector in position # 6.
10. Confirm that there is no wire installed in pin location # 3 in the 12-pin connector.
11. Install the reset switch into the dash housing.
12. Plug the 12-pin connector into the mating connector on the back of the speedometer head.
13. Reconnect the ignition switch connector under the dash.
14. Center the dash panel over the gas tank and install the mounting hardware to secure the dash panel.
15. Reconnect the battery cables, making sure that the negative cable is always reconnected last.
16. Check operation of the speedometer and all indicator lamps.
17. Clear diagnostic codes by doing the following steps:
18. Turn the ignition from Off to On while holding in the reset button on the dash.
19. The code "d01Clr" will be displayed; release the reset button.
20. Press the reset button again and hold in button. Code "d02Set" will be shown. Hold in button until code "d02Clr" is displayed. This indicates that the set code has been cleared. Release the reset button.
21. Exit the diagnostic mode by turning the ignition switch from On to off to On, without holding in the reset button on the dash panel.



96-97 FLHR Road King Models

1996-97 FLHR ROAD KING MODELS:

NOTE: Installation of this later version of speedometer head onto 98 Road King models will require the use of a sub wire harness with 12-pin connectors, 39-0768.

1. Remove the instrument panel nut and lift panel from tank. Disconnect the 12-pin connector to the speedometer and also the connector at the ignition switch and remove the dash panel from the bike.
2. Remove the speedometer trip reset switch from the dash panel.
3. Disconnect the three-wire connection going to the speedometer sensor in the transmission.
4. On the back of the original speedometer, there are four wires from the speedometer to the 12-pin connector. Either remove these four wires from the connector or cut them to separate the speedometer from the 12-pin connector.

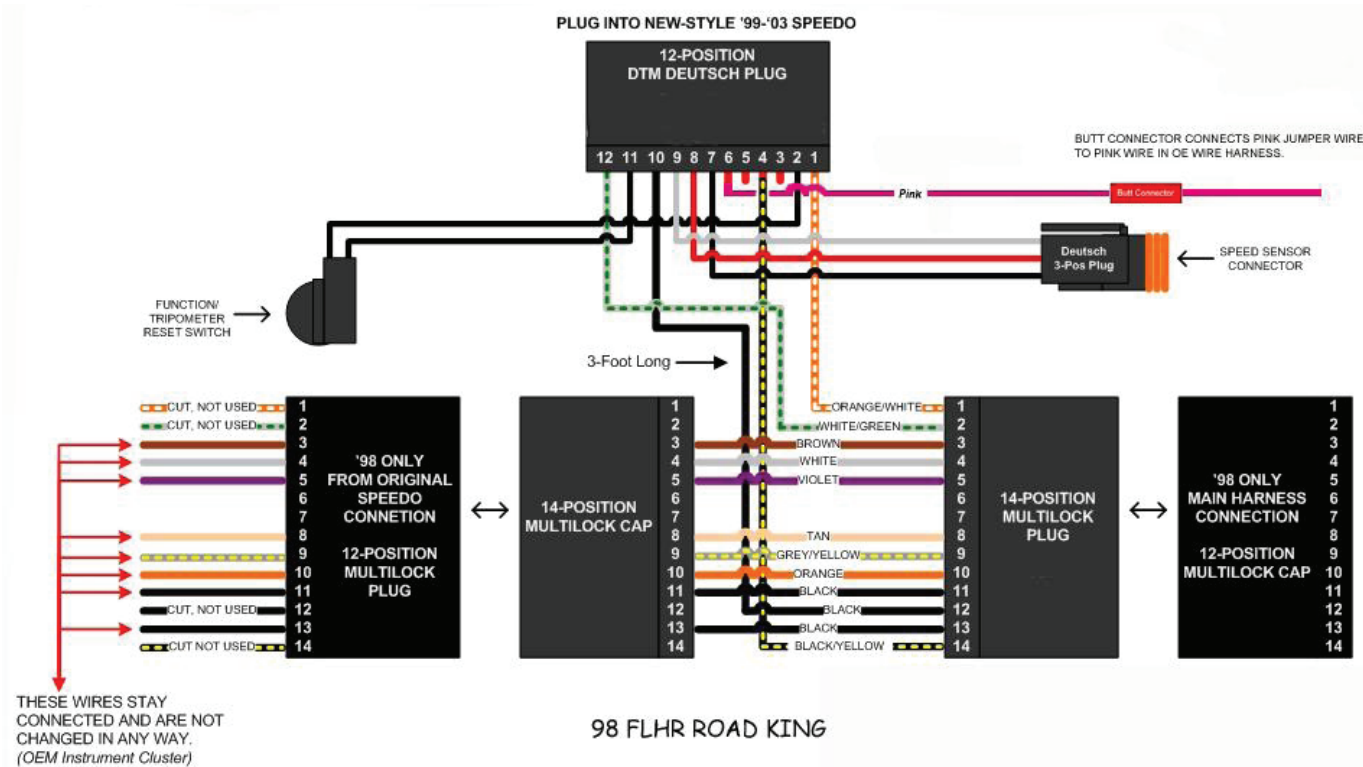
NOTE: These four wires should be color-coded with one being orange/white, one white/green, one black/yellow and one black. The 12-pin connector should be located under the left side cover.

5. If you cut the wires, tape them off so there is no chance of any wire shorting out.
6. Remove the speedometer head by releasing the three latches under the speedometer and removing the speedometer head through the top of the dash panel.
7. Install the original rubber gasket from the old speedometer onto the new speedometer and install the new speedometer into the dash panel. Make sure all three latches are secure.
8. Install PART 39-0768 sub wire harness in between the two original wire harness connectors. Make sure that both connectors are fully seated and locked.

9. Install the new reset switch into the dash housing.
10. Obtain the pink wire from the tachometer wire harness kit, 32-1336.
11. Locate the pink wire in the main wire harness going to the speedometer.

NOTE: The pink wire will be in one of two locations. First, it will either be tie-wrapped to the outside of the speedometer wire harness conduit or tucked inside. If tucked inside, remove tie wrap from outside of conduit and slide the conduit back to reveal the pink wire. Second, it may be located inside the headlight nacelle.

12. Obtain the pink wire from the tach wire harness kit. Route the wire from the console area to the end of the pink wire in the main wire harness.
13. Connect the unfinished end of the pink wire from the wire harness kit to the pink wire in the main wire harness.
14. Install the terminal on the other end of the pink wire into the 12-pin connector in position # 6.
15. Confirm that there is no wire installed in pin location # 3 in the 12-pin connector.
16. Remove and isolate any wire that is in location # 3 in the 12-pin connector.
17. Plug the new 12-pin connector into the mating connector on the back of the speedometer head.
18. Reconnect the original wires to the ignition switch.
19. Connect the three-wire connector to the existing speed sensor.
20. Center the dash panel over the gas tank and install the mounting hardware to secure the dash panel.
21. Connect the three wires from the sub wire assembly to the existing wires from the speed sensor.
22. Reconnect the battery cables, making sure that the negative cable is always reconnected last.
23. Check operation of the speedometer and all indicator lamps.
24. Clear diagnostic codes by doing the following steps:
25. Turn the ignition from Off to On while holding in the reset button on the dash.
26. The code "d01Clr" will be displayed; release the reset button.
27. Press the reset button again and hold in button. Code "d02Set" will be shown. Hold in button until code "d02Clr" is displayed. This indicates that the set code has been cleared. Release the reset button.
28. Exit the diagnostic mode by turning the ignition switch from On to Off to On, without holding in the reset button on the dash panel.



98 FLHR ROAD KING MODELS:

NOTE: Installation of this later version of speedometer head onto 98 Road King models will require the use of a sub wire harness with 12-pin connectors, 32-1335.

1. Remove the instrument panel nut and lift panel from tank. Disconnect the 12-pin connector to the speedometer and also the connector at the ignition switch and remove the dash panel from the bike.
2. Remove the speedometer trip reset switch from the dash panel.
3. Disconnect the three-wire connection going to the speedometer sensor in the transmission.
4. On the back of the original speedometer, there are four wires from the speedometer to the 12-pin connector. Either remove these four wires from the connector or cut them to separate the speedometer from the 12-pin connector.

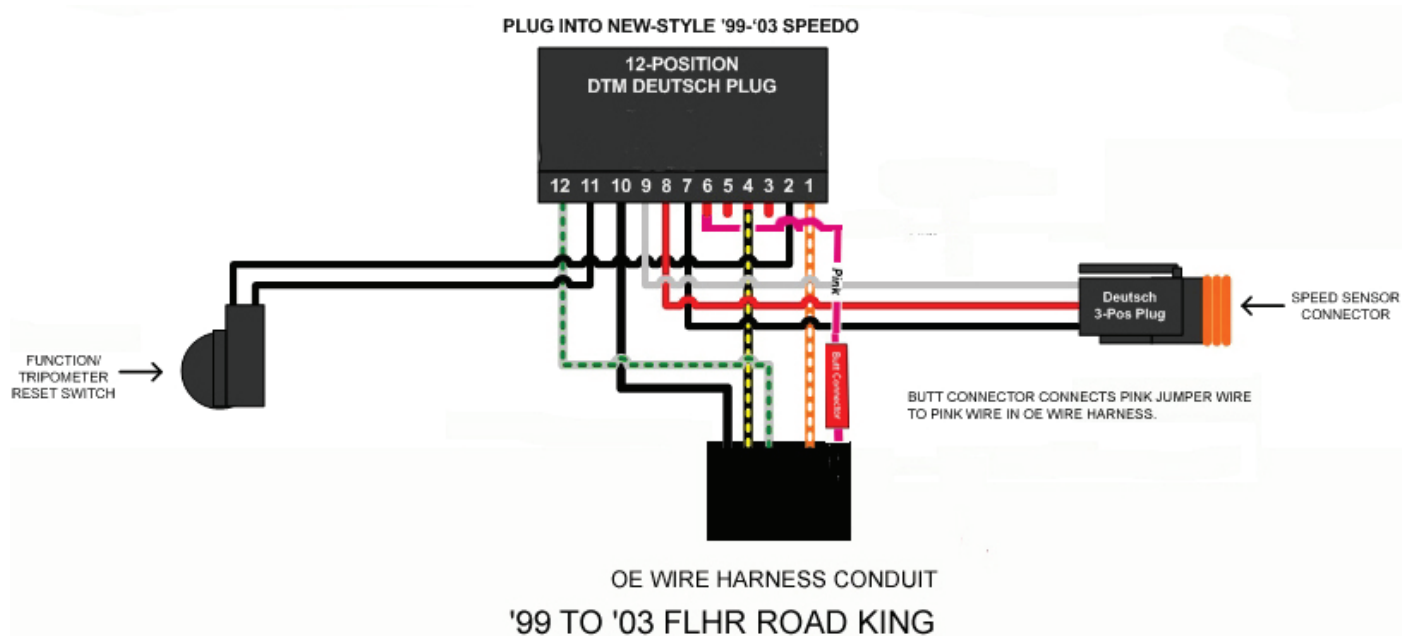
NOTE: These four wires should be color-coded with one being orange/white, one white/green, one black/yellow and one black. The 12-pin connector should be located under the left side cover.

5. If you cut the wires, tape them off so there is no chance of any wire shorting out.
6. Remove the speedometer head by releasing the three latches under the speedometer and removing the speedometer head through the top of the dash panel.
7. Install the original rubber gasket from the old speedometer onto the new speedometer and install the new speedometer into the dash panel. Make sure all three latches are secure.
8. Install 32-1335 sub wire harness in between the two original wire harness connectors. Make sure that both connectors are fully seated and locked.
9. Install the new reset switch into the dash housing.
10. Obtain the pink wire from the tachometer wire harness kit, 32-1336.

NOTE: The pink wire will be in one of two locations. First, it will either be tie-wrapped to the outside of the speedometer wire harness conduit or tucked inside. If tucked inside, remove tie wrap from outside of conduit and slide the conduit back to reveal the pink wire. Second, it may be located inside the headlight nacelle.

12. Obtain the pink wire from the tach wire harness kit. Route the wire from the console area to the end of the pink wire in the main wire harness.
13. Connect the unfinished end of the pink wire from the wire harness kit to the pink wire in the main wire harness.
14. Install the terminal on the other end of the pink wire into the 12-pin connector in position # 6.
15. Confirm that there is no wire installed in pin location # 3 in the 12-pin connector.
16. Remove and isolate any wire that is in location # 3 in the 12-pin connector.
17. Plug the new 12-pin connector into the mating connector on the back of the speedometer head.
18. Reconnect the original wires to the ignition switch.
19. Connect the three-wire connector to the existing speed sensor.
20. Center the dash panel over the gas tank and install the mounting hardware to secure the dash panel.
21. Connect the three wires from the sub wire assembly to the existing wires from the speed sensor.
22. Reconnect the battery cables, making sure that the negative cable is always reconnected last.
23. Check operation of the speedometer and all indicator lamps.

24. Clear diagnostic codes by doing the following steps:
25. Turn the ignition from Off to On while holding in the reset button on the dash.
26. The code "d01Clr" will be displayed; release the reset button.
27. Press the reset button again and hold in button. Code "d02Set" will be shown. Hold in button until code "d02Clr" is displayed. This indicates that the set code has been cleared. Release the reset button.



99-03 FLHR ROAD KING MODELS:

1. Remove the instrument panel nut and lift panel from tank. Disconnect the 12-pin connector to the speedometer and also the connector at the ignition switch and remove the dash panel from the bike.
2. Remove the speedometer trip reset switch from the dash panel.
3. Remove the speedometer head by releasing the three latches under the speedometer and removing the speedometer head through the top of the dash panel.
4. Install the original rubber gasket from the old speedometer onto the new speedometer and install the new speedometer into the dash panel. Make sure all three latches are secure.
5. Obtain the pink wire from the tachometer wire harness kit, 32-1336.
6. Locate the pink wire in the main wire harness going to the speedometer.

NOTE: The pink wire will be in one of two locations. First, it will either be tie-wrapped to the outside of the speedometer wire harness conduit or tucked inside. If tucked inside, remove tie wrap from outside of conduit and slide the conduit back to reveal the pink wire. Second, it may be located inside the headlight nacelle.

7. Take the pink wire from the tach wire harness kit. Route the wire from the console area to the end of the pink wire in the main wire harness.
8. Connect the unfinished end of the pink wire from the wire harness kit to the pink wire in the main wire harness.
9. Install the terminal on the other end of the pink wire into the 12-pin connector in position # 6.
10. Confirm that there is no wire installed in pin location # 3 in the 12-pin connector.
11. Install the reset switch into the dash housing.
12. Plug the 12-pin connector into the mating connector on the back of the speedometer head.
13. Reconnect the ignition switch connector under the dash.
14. Center the dash panel over the gas tank and install the mounting hardware to secure the dash panel.
15. Reconnect the battery cables, making sure that the negative cable is always reconnected last.
16. Check operation of the speedometer and all indicator lamps.
17. Clear diagnostic codes by doing the following steps:
18. Turn the ignition from Off to On while holding in the reset button on the dash .
19. The code "d01Clr" will be displayed, release the reset button.
20. Press the reset button again and hold in button. Code "d02Set" will be shown. Hold in button until code "d02Clr" is displayed. This indicates that the set code has been cleared. Release the reset button.
21. Exit the diagnostic mode by turning the ignition switch from On to Off