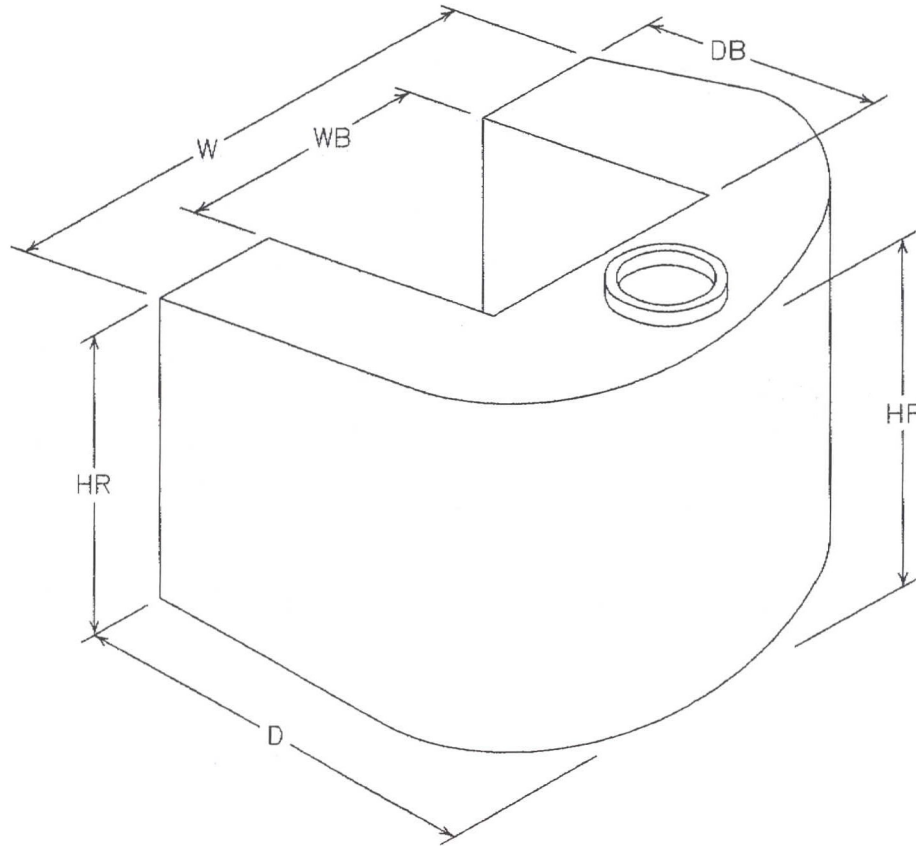


**V-Twin Mfg.
Replica Oil Tank Chrome
VT No. 40-0475
Measurement Guide**



Tank Dimensions

Height of Front	HF	7.25"
Height of Rear	HR	6.5"
Depth	D	8.25"
Depth of Battery Box	DB	5.25"
Width	W	10"
Width of Battery Box	WB	4.875"