

42-9945

XL CHROME REAR MASTER CYLINDER COVER

General

This kit is designed for installation on 1980 to 2003 XL (Sportster®) model motorcycles.

There are no serviceable parts in this kit.

Installation

1. See Figure 1. Remove bolts (1) and lockwasher (2) from rear master cylinder assembly.
2. Mount cover over master cylinder and insert bolt (1) with lockwasher (2) through assembly.
3. Align bolts (1) with mounting holes in sprocket cover and tighten to 155-190 **in-lbs.** torque.

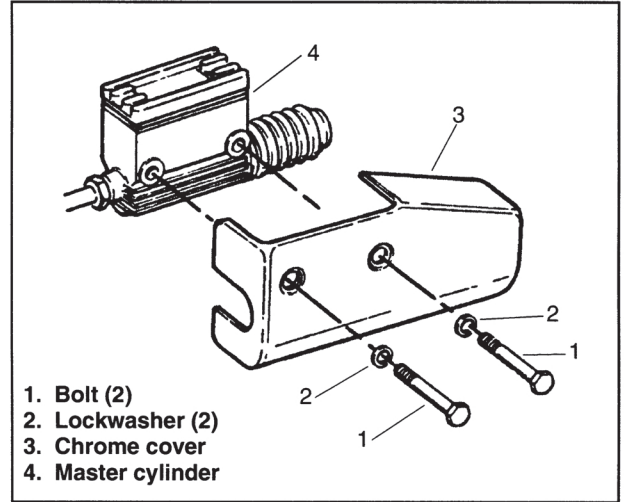


Figure 1. Rear Master Cylinder Cover