

ADJUSTABLE AIR DEFLECTOR KIT

GENERAL

WARNING

The rider's safety depends upon the correct installation of this kit. If the procedure is not within your capabilities or you do not have the correct tools, have a dealer perform the installation. Improper installation of this kit could result in death or serious injury.

Kit Contents

See Figure 2 and Table 1.

INSTALLATION

- See Figure 1. **Models with NO air deflectors installed:** Remove and discard the hole plugs (1) from the right and left edges of the inner fairing assembly.
Models WITH air deflectors currently installed: Remove and discard the screws that retain the right and left air deflectors. Remove and discard the deflectors.
- See Figure 2. Select a right side (1) or left side (2) air deflector, and screws (3) from the kit. Determine the correct side by holding the mounting-hole side of the deflector against the fairing.
- Place the deflector against the inner fairing, lining up the holes. Insert the screws through the deflector holes and into the fairing air deflector holes. Tighten the screws to 25-30 in-lbs (2.8-3.4 Nm).

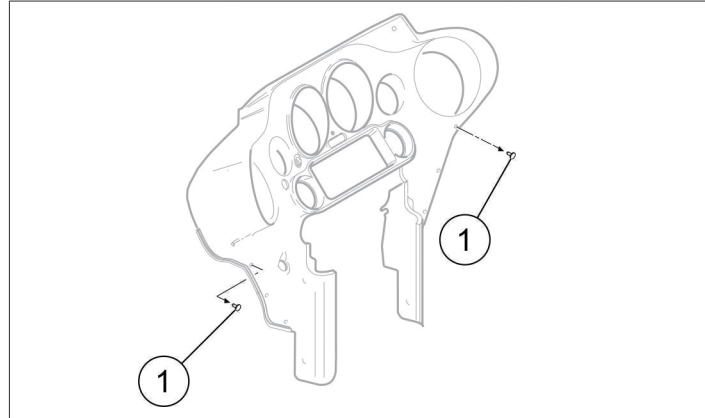


Figure 1. Remove Hole Plugs

SERVICE PARTS

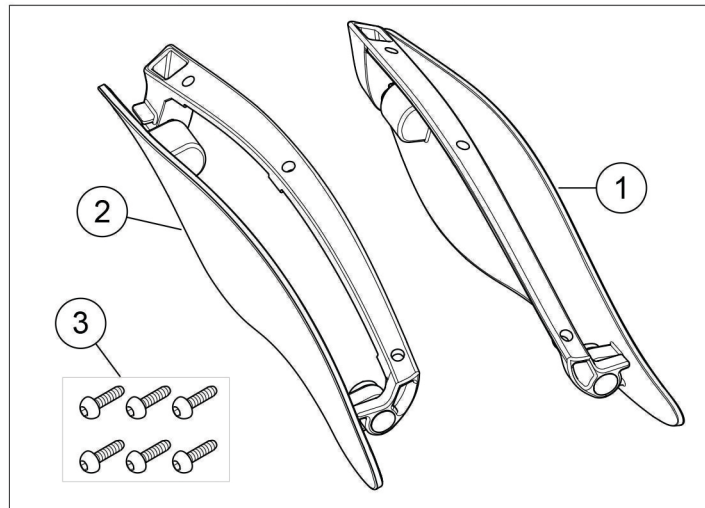


Figure 2. Service Parts: Adjustable Air Deflector Kit

Table 1. Service Parts Table

Item	Description (Quantity)	Part Number
1	Air deflector, adjustable (right side)	57200017
2	Air deflector, adjustable (left side)	57200012
3	Screw (6)	2563