



Solo Seat Hardware



31-0510



31-4026



31-4080



31-4027

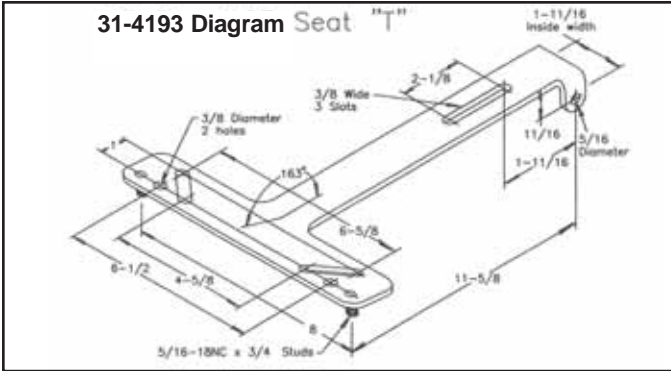


31-4194

Tilt Up Seat Nose Bracket allows the solo seat to be mounted to frame tubes or mount brackets.

VT No.	Type	Width	Finish
31-0510*	Tube 1	3/4"	Chrome
31-4026	Low Profile	1 1/2"	Zinc
31-4080	Low Profile	1 1/2"	Zinc
31-4027	Wide Nose	2 1/2"	Zinc
31-4194	Low Profile	1 1/2"	Zinc

*Note: Fits bracket VT No. 31-4009 which mounts to 1965-84 FX or FL frames.



31-4193

Universal Seat "T" features slotted mounts to accept most solo seats.
VT No. 31-4193



31-0630



31-0913

Solo Seat Mount and "T" will adapt seat "T" to 1984-99 ST models with split tanks.

VT No.	Item
31-0630	"T"
31-0913	Mount



Solo Seat Mount Bracket allows mounting of spring set to underside of solo seats, may be drilled for extra application. Adds support to spring perches.
VT No. 31-0326



Seat Bracket Mount bolts to frame holes above seat post tube on all 1965-84 FLH-FXE frames. Seat nose bracket will swivel on this mount.
VT No. 31-4009



31-0875

Micro Front Solo Seat Mount Kit includes weld on tabs and micro "T" with bushing.
VT No. 31-0875



31-0950



13-0548



31-0947



31-0898

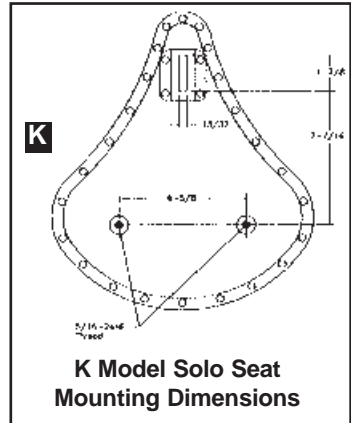
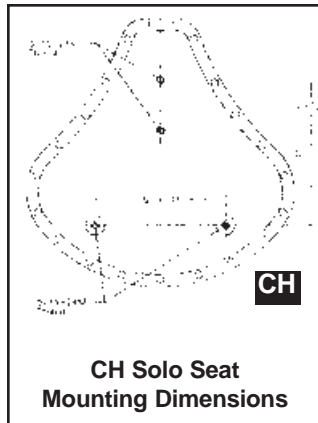
Solo Mount Kit includes nose bracket, seat "T" and rear mount bracket. Order springs and spring stantions separately.

VT No.	Item
31-0950	"T" Kit
31-0947	Bracket Front
13-0548	5" Springs
31-0898	Stantions



Universal Solo Seat Front Mount includes mount and tilt up seat bracket to fit most solo seats. Lower bracket is direct bolt on to 1965-84 FX-FLH frames.

VT No. 31-0654



CH= CH Solo Seat
K= K Model Solo Seat
P= Police Solo Size