



38 Amp ST 3 Phase Alternator Kit features sealed rotor, stator, regulator and bracket. All feature Deutsch connectors.

- VT No. Fits**
- 32-0388** 1999-03 FXD/2000 ST
 - 32-0373** 2001-up FLST-FXST, 1995-05 FLT
 - 32-0375** 1984-99 FLST-FXST, 1991-98 FXD
1984-94 FXR, FLT
 - 32-0378** Regulator for 32-0375

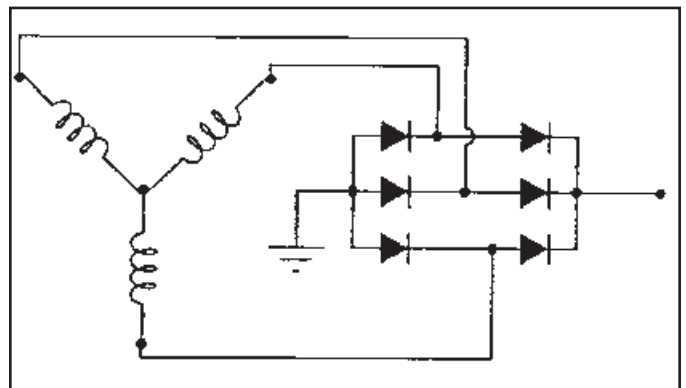


38 Amp ST 3 Phase Alternator Kit features sealed rotor, stator and regulator. Features Deutsch connectors and enclosed rare earth magnet rotor.

VT No.	Year	Model
32-0375	1990-99	FX-FL
	1970-99	FX-FL

3 Phase offers better low and high speed output, delivering a smoother charge to the battery.

V-Twin developed the first charging system kits in 1986



Some basic facts about **3 Phase**...Most of the electric power in the world is **3 Phase**. The concept was originally conceived by Nikola Tesla and was proven that **3 Phase** was far superior to single phase power. **3 Phase** power is typically 150% more efficient than single phase in the same power range. In a single phase unit the power falls to zero three times during each cycle in **3 Phase** it never drops to zero. The power delivered to the load is the same at any instant. Also, in **3 Phase** the conductors need only be 75% the size of conductors for single phase for the same power output. Therefore a **3 Phase** system provides more current delivery for EFI and other electrical accessories, provide more charging power for increased battery life and easier starting. Not really much more complicated than single phase but much more efficient!!