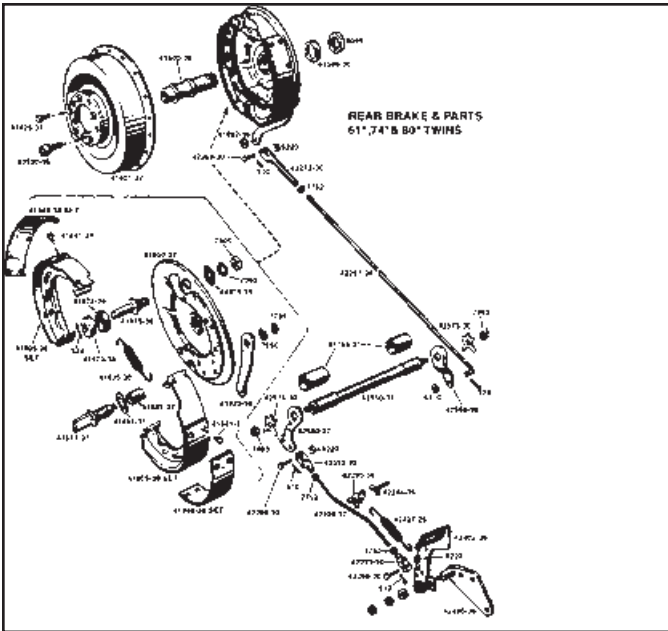




BT Mechanical Brake



Foot Brake Lever and Mounting Kit. Nut, washers and bolts are replicas of OEM hardware used on 1936-71 Big Twins.

| VT No. | Finish |
|--------|------------|
| 9732-7 | Chrome |
| 9733-7 | Cadmium |
| 9734-7 | Parkerized |



1936 Only Backing Black Backing Plate fits 61" OHV.
VT No. 49-0357



1937-57 Rigid Brake Drum Assemblies are complete replacements with sprocket and dust shield riveted on. Drawn steel construction. Replaces 41400-37.

| Chrome | Black |
|---------|---------|
| 23-0429 | 23-0430 |



Replica Brake Pedals fit 1936-57 BT Rigid and include grease fitting and slot.

| VT No. | Finish |
|---------|------------|
| 23-0104 | Chrome |
| 23-0456 | Parkerized |

Brake Shoe Springs.

Front

| VT No. | Part No. | Model |
|---------|----------|-------------------|
| 13-0146 | 41835-69 | 1969-72 FLH Glide |
| 13-0201 | 41835-57 | 1949-71 Glide |
| 13-0208 | 44486-28 | 1929-52 45 Solo |
| 13-0209 | 44484-35 | 1936-57 BT |
| 13-0146 | 41835-69 | 1952-72 Sportster |

Rear

| VT No. | Part No. | Model |
|---------|-------------|-------------------|
| 13-0145 | 41835-30 | 1930-57 BT |
| 13-9233 | 41836,37-58 | 1958-62 Hydraulic |
| 13-0148 | 41836,37-63 | 1963-72 Hydraulic |
| 13-9260 | — | 1960-62 Hydraulic |
| 13-0146 | 41835-69 | 1952-78 Sportster |
| 13-0208 | 44486-28 | 1935-52 45 Solo |



13-9260



13-0146



13-0209



13-0148

Rigid Brake Parts For 1937-57 Big Twin Models.

| VT No. | OEM | Finish | Item |
|----------|-----------|---------------------|-----------------------------------|
| 23-0429 | 41400-37 | Chrome | Brake Drum Cpt |
| 23-0430 | 41400-37 | Black | As Above |
| 19-0015 | 41420-30 | Chrome | Splash Ring |
| 23-0441 | 41425-37 | Plain | Dowel Pin Set |
| 44-0215 | 41552-36 | Chrome | Rear Axle |
| 7704-2 | 41576-36 | Chrome | Axle Adjuster |
| 8014-2 | w/Nuts | Cadmium | Pair |
| 44-0322 | 41595-36 | Chrome | Axle Spacer |
| 8160-4 | 41596-30 | Chrome | Sleeve Collar Kit |
| 8161-4 | As Above | Cadmium | Includes Nut, Collar and Lock Tab |
| 37-8791 | 41603-35 | Parkerized | Lock Tab |
| 44-0316 | 41596-30 | Chrome | Collar, ea |
| 44-0330 | 41600-36 | Chrome | Axle Sleeve |
| 23-0415 | 41650-37 | Chrome | Backing Plate |
| 23-0420 | As above | Black | |
| 23-0417 | 41671-37 | Plain | Cam |
| 10-0740 | 41685-37 | Standard | Cam Bushing |
| 10-2496 | 41685-37A | .015 O.S. | Cam Bushing |
| 23-1990 | 41691-31 | Copper | Cam Shim, 5 pk |
| 23-0500 | 41805-38 | Stamped | Shoe Set Cpt |
| 23-1750 | 41805-38 | Replica Cast | Shoe Set Cpt |
| 23-0504 | 41848-38 | Lining Set w/Rivets | |
| 13-0145 | 41835-30 | Set Shoe | Springs |
| 23-0418 | 41870-38 | Outside | Pivot Cup Kit |
| 3Pc Kit | 41872-38 | Inside | Pivot Cup |
| | 41875-38 | Complete Piv | ot Stud |
| 23-0009 | 41875-38 | Black | Pivot Stud Only |
| 23-0428 | 41929-36 | Chrome | Rear Lever |
| 23-0449 | As above | Parkerized | |
| 49-2552 | 42257-36 | Parkerized Rear | Rod |
| 23-0423 | 42257-36 | Chrome | Rear Rod |
| 23-0902 | Replica | Chrome | Rear Rod |
| 23-0903 | Replica | Parkerized | Rear Rod |
| 23-0421 | 42269-30 | Zinc | Clevis Pin, 10 pk |
| 23-0464 | 42269-30 | Parkerized | Clevis Pin, 5 pk |
| 2501-12 | Kit | Parkerized | Clevis Pin Kit |
| 23-0425 | 42273-30 | Chrome | Rear Clevis |
| 23-0444 | As above | Parkerized | |
| 23-0422 | 42326-37 | Chrome | Front Rod |
| 49-2551 | As above | Parkerized | |
| 23-0424 | 42333-30 | Chrome | Front Clevis |
| 23-0443 | As above | Parkerized | |
| 23-0104 | 42402-36 | Chrome, Replica | Foot Lever |
| 23-0156 | — | Chrome | Foot Lever |
| 23-0456 | As above | Parkerized, Replica | |
| 13-0150 | 42427-26 | Black | Lever Spring, ea |
| 13-0173 | 42427-26 | Chrome | Lever Spring, ea |
| 23-0105 | 42480-36 | Chrome | Lever Bracket |
| 23-0446 | As above | Parkerized | Lever Bracket |
| 23-1563 | 42480-36 | Parkerized | Lever Bracket |
| 23-0419 | 42550-31 | Plain | Cross Shaft |
| 10-0741 | 47755-31 | Pair | Shaft Bushing |
| 23-0426 | 42560-37 | Chrome | Shaft Lever, 2 hole |
| 23-0447 | As above | Parkerized | |
| 23-0427 | 42556-36 | Chrome | Shaft Lever, 1 hole |
| 23-0448 | As above | Parkerized | |
| 7820-4 | 7863 | Cadmium | Shaft Nut |
| 4 Pc Kit | 42575-30 | | Lock kit |
| 9677-4 | As Above | Parkerized | Kit |
| 8409-4 | As Above | Chrome | Kit |
| 17-0935 | 42575-30 | Pr | Lock Tab |
| 37-6137 | 7905 | Chrome | Nut, 5 pk |
| 37-6138 | 7905 | Parkerized | Nut, 5 pk |
| 37-0709 | 7789 | Parkerized | Nut, 5 pk |
| 37-0009 | 7789 | Chrome | Nut, 5 pk |
| 37-8660 | 510 | Zinc | Cotter Pin |
| 37-8661 | 534 | Zinc | Cotter Pin |
| 37-0799 | 7060 | Parkerized | 1/2" Lockwasher |
| 23-0416 | 44475-35 | Black | Lock Plate |
| 23-0452 | 44475-35 | Chrome | Lock Plate |



23-0420



23-0417



23-0428



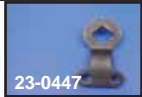
23-0418



23-0446



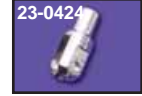
23-0456



23-0447



23-0448



23-0424



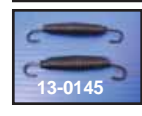
8160-4



23-0415



23-0500



13-0145



Replica Foot Brake Lever Stud available with threaded end or peen-end, hardware included. Note: Oversize studs require purchase of 23/32 ream to refit worn pedals.

| Stock | Oversize | Year | Type |
|---------|----------|---------|----------|
| 2315-6 | 2309-6 | 1936-38 | Threaded |
| 2316-5 | 2310-5 | 1937-57 | BT & 45 |
| 23-0826 | — | 1936-38 | Plate |

Wheel Lug Bolts for brake drums. Use tap 16-0807 for 3/8 x 20 O.S. threads for 37-8919.

| Black | Chrome | OEM | Years |
|---------|---------|-----------|----------|
| 37-8675 | 23-0440 | 43530-35A | 1936-72 |
| — | 37-8919 | 43531-35 | Oversize |