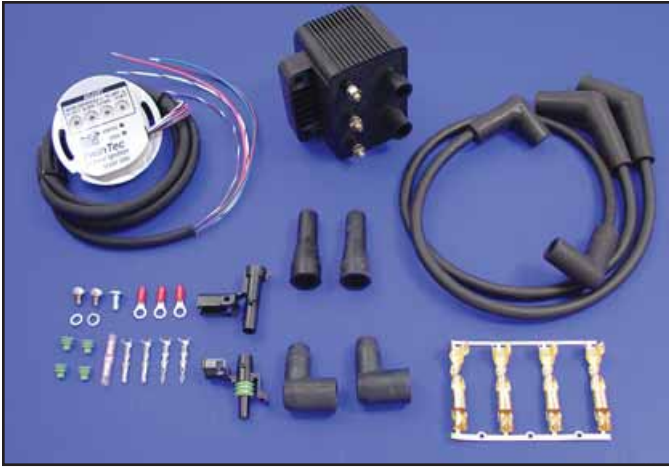




# Daytona Twin Tech Ignition



**Daytona Twin Tec Internal Ignition Kit** for 1984-99 Evo Big Twin, 1970-84 Shovelhead Big Twin and 1971-97 Sportster models. Kit includes ignition, coil and spark plug wire set.

**VT No. 32-3015**

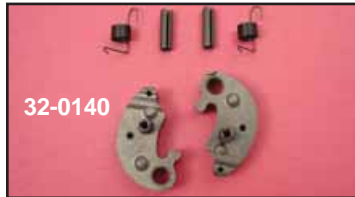
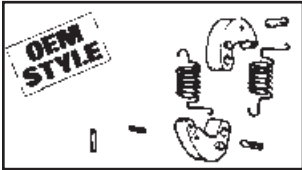


**Twin Tec Internal Ignition for 1970-99 Models.** Two advance curve families with adjustable advance slope accommodate stock to highly modified engines. Digitally set RPM Limit (100 RPM Steps). Selectable single or dual fire mode. Coil outputs protected against

short circuits. Optional PC link cable and software for programming custom advance curve.

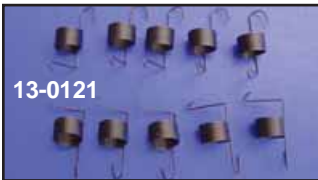
- |               |                        |
|---------------|------------------------|
| <b>VT No.</b> | <b>Item</b>            |
| 32-1005       | Ignition               |
| 32-2013       | 3 Ohm Coil Single Fire |

## Ignition Advance Unit Components



**Automatic Advance Rebuild Kit** includes 2 of the following: springs, weights, and 4 roll pins. For all 1970-78 Twins.

**VT No. 32-0140**



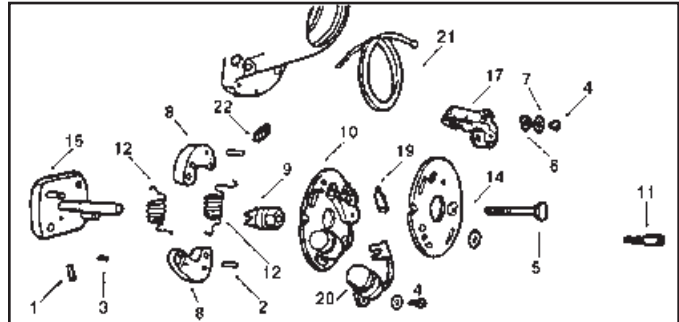
**1970-up Advance Weight Springs.**

- |               |   |
|---------------|---|
| <b>VT No.</b> | <b>Fits</b>   |
| 13-9247       | Severe Duty Advance Weight Springs for all Hi-compression and heavily modified engines. Also useful for applications experiencing detonation (pinging) or very erratic idle, pair |
| 13-9246       | Heavy Advance Weight Springs for slightly modified stock, low compression or mild stroker application, helps cure minor idle problems, pr   |
| 13-0121       | Original type replacement. Uses premium grade spring steel, 10 pk   |



**Ignition Wire Chrome Clamps.**

- |               |             |
|---------------|-------------|
| <b>VT No.</b> | <b>Type</b> |
| 37-9014       | Points      |
| 37-9015       | Electronic  |



**Advance Unit Rebuild Parts.**

- | <b>VT No.</b> | <b>OEM</b> | <b>#</b> | <b>Item</b>   |
|---------------|------------|----------|---|
| 32-7510       | 32505-78A  |          | Rotor and Weight Assembly                           |
| 12-1163       | 615        | 1        | Roll Pin Breaker Plate                              |
| 12-1164       | 620        | 2        | Roll Pin Breaker Weight                             |
| 12-1162       | 623        | 3        | Roll Pin, Breaker Plate                             |
| 12-1152       | 8699       |          | Pop Rivet for Cover                                 |
| 37-8809       | 1047,7115  | 4        | Point Mount Plate Washer and Screw Assortment       |
|               | 6189W      |          |   |
| 32-0055       | 3570       | 5        | Timing Screw  |
| 32-0138       | 32522-70   | 8        | Weight Set  |
| 32-0053       | 32542-70A  | 9        | Cam only  |
| 32-0549       | 32577-70   | 10       | Breaker Base Assembly                               |
| 32-0051       | 32601-78   | 11       | Plate Mount Stud 1970-81                            |
| 32-0049       | 32606-82   | 11       | Plate Mount Stud 1982-up                            |
| 32-0054       | As Above   | 11       | Oversize with 12/24 threads for Stripped out Covers |
| 13-0121       | 32605-70   | 12       | Springs   |
| 32-0042       | 32618-70A  | 14       | Mount Plate only                                    |
| 32-0041       | 32629-70   | 15       | Shaft and Plate only                                |
| 32-0118       | 32661-70   | 17       | Point Set   |
| 32-0411       | 32670-70   | 19       | Terminal Kit  |
| 32-0121       | 32726-30A  | 20       | Condenser and Bracket                               |
| 32-1557       | 70456-73   | 21       | Point Lead Wire                                     |
| 37-8971       | 10046      | 22       | Point Lead Wire Clamp                               |