



# 2004-up Front Caliper

2004-up XL Front Calipers feature 4 pistons design in chrome or silver finish.

| VT No.  | OEM      | Finish      | Side  |
|---------|----------|-------------|-------|
| 23-0851 | 44121-04 | Silver      | Left  |
| 23-0852 | 44121-04 | Chrome      | Left  |
| 23-0008 | 44546-04 | Chrome      | Right |
| 23-0273 | 42822-04 | Piston Only |       |
| 23-0274 | 43529-04 | Seal Kit    |       |



23-1008 Installed

## 1977-83 Dual Disc



1977-83 Chrome Dual Disc Caliper and Rotor Set includes (2) chrome calipers and (2) 10" drilled rotors.

| VT No.  | Item              | Rotor           |
|---------|-------------------|-----------------|
| 23-0250 | Caliper Rotor Set | Zinc Steel      |
| 23-0258 | Caliper Rotor Set | Polished SS     |
| 23-0259 | Caliper Rotor Set | Stainless Steel |
| 8758-10 | Bolt Set          |                 |

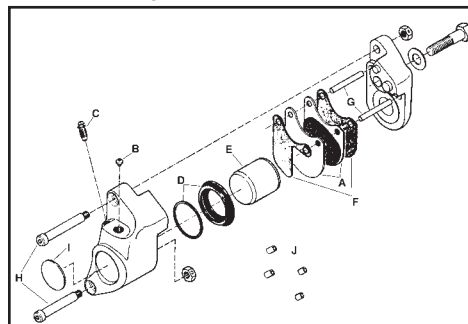


Dual Disc Front Disc Calipers includes body, piston, seals and all related assembly hardware. Dual type fits 1977-83 with 10" rotors.

| VT No.  | Side         | Finish          | Style |
|---------|--------------|-----------------|-------|
| 23-2221 | Right        | Black           | A     |
| 23-1121 | Right        | Chrome          | A     |
| 23-2238 | Left         | Black           | A     |
| 23-1120 | Left         | Chrome          | A     |
| 23-1119 | Right & Left | Black, Daytona  | B     |
| 23-1122 | Right & Left | Black, ET       | A     |
| 23-2220 | Right & Left | Chrome, Daytona | B     |
| 23-0550 | Right & Left | Chrome, ET      | A     |



10" Rotor Set fits dual disc 1978-83 polished stainless. VT No. 23-0846



Chrome Lower Slider Set Only fits 1977-82 dual disc 35mm forks. VT No. 24-0541

Dual Disc Caliper Hardware fits 1977-83.

| VT No.  | # | OEM                  | Item                         |
|---------|---|----------------------|------------------------------|
| 23-0509 | A | 44098-77             | Pad Set (4)                  |
| 23-9198 | B | 44141-77             | Seat, brake hose             |
| 23-1731 | C | 44146-77             | Bleeder Fitting              |
| 23-0607 | D | 44151-77<br>44153-77 | Seal, piston                 |
| 23-2278 | E | 44157-77             | Piston                       |
| 23-0523 | F | 44158-77<br>44161-77 | Plate, Outer<br>Plate, Inner |
| 23-1734 | G | 44162-77             | Pin                          |
| 24-0602 | H | 44173-77<br>44174-77 | Screw                        |
| 37-8970 | I | —                    | Chrome Insert, ea            |
| 24-0603 | J | 46018-77<br>46019-77 | Mount Bushing Set            |