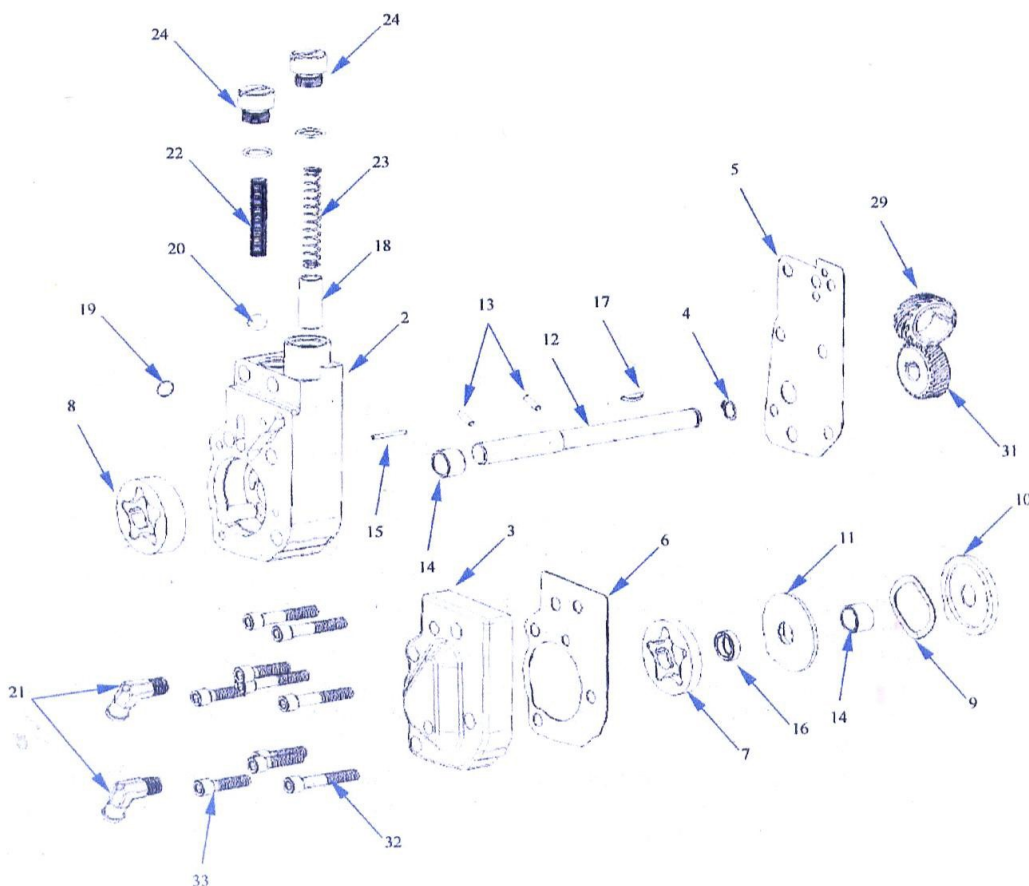


**V-Twin Mfg.**  
**Sifton Oil Pump**  
**For use on fits 1992-99 Evolution Engines**  
**VT Part No. 12-0859**

This is a custom application and rider safety depends on proper installation. This product should only be installed by a knowledgeable and trained motorcycle technician. V-Twin Mfg. accepts no responsibility for improper installation.

**Oil Pump Kit Bill of Materials**

Item Description	Item Description
1. <b>GEROTOR OIL PUMP KIT</b>	18. RELIEF VALVE PISTON
2. HOUSING MAIN.GEROTOR OIL PUMP	19. PIPE PLUG 1/8-27 NPT
3. COVER.GEROTOR OIL PUMP	20. CHECK BALL .375
4. RETAINING CLIP. DRIVE SHAFT	21. BARB 90°
5. GASKET , HOUSING - CASE	22. SPRING CHECK VALVE
6. GASKET , COVER - HOUSING	23. SPRING RELIFE VALVE
7. SUPPLY GEAR SET	24. CAP SCREW WITH O-RING
8. RETURN GEAR SET	25. OIL PUMP DRIVE GEAR 11T 93UP
9. WAVE WASHER	26. OIL PUMP DRIVE GEAR 11T 54-89
10. GEAR PLATE INNER	27. OIL PUMP DRIVEN GEAR 22T
11. GEAR PLATE OUTER	28. GASKET HOUSING TO CASE
12. DRIVE SHAFT	29. OIL PUMP DRIVE GEAR 11T 93UP
13. PIN. OIL PUMP DRIVE SHAFT	30. OIL PUMP DRIVE GEAR 54-89 ( not shown )
14. BUSHING , GEROTOR PUMP	31. OIL PUMP DRIVEN GEAR 22T
15. STOP PIN	32. SOCKET SCREW 1/4-20 x 1.25 Chrome
16. SEAL	33. SOCKET SCREW 1/4-20 x 1.0 Chrome
17. WOODRUFF KEY	



**VT No. 12-0859**

**A-Return**

**B-Feed**

