

**V-Twin Mfg.
 Replica Venturi Removal Tool
 VT Part No. 16-1037**

This is a custom application and rider safety depends on proper installation. This tool should only be used by a knowledgeable and trained motorcycle technician. V-Twin Mfg. Accepts no responsibility for improper use.

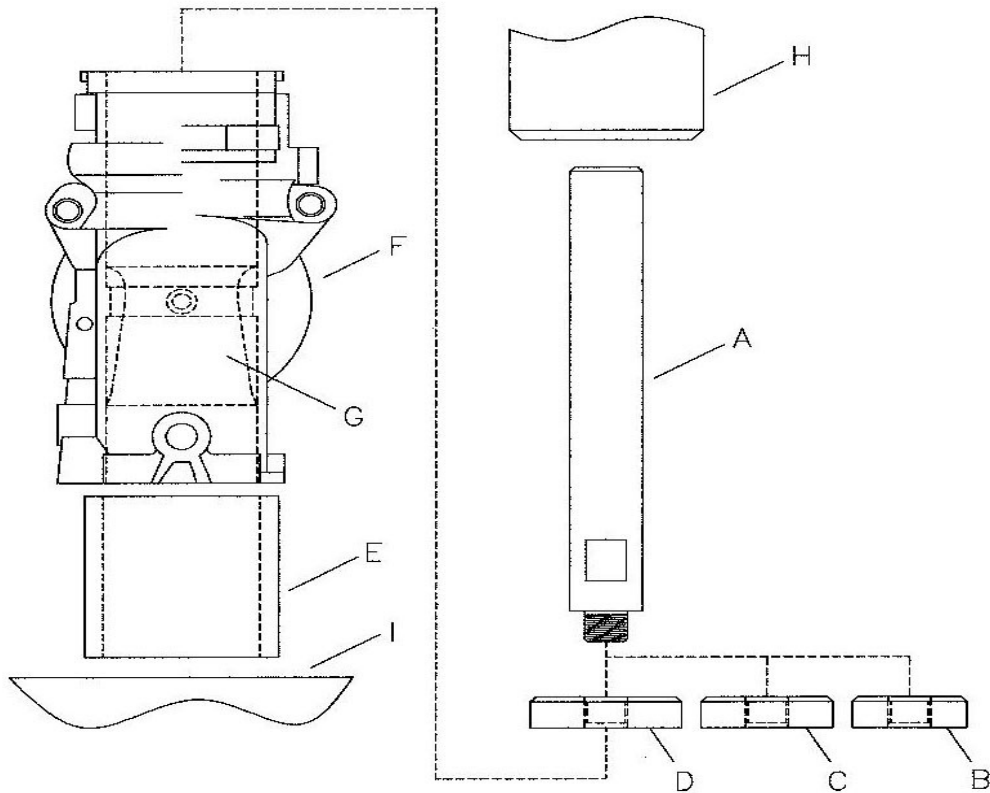
Installation Instructions

Removal:

1. Remove carburetor throttle shaft, choke shaft, and main nozzle.
2. Install either Venturi disk B, C, or D, depending on your carburetor throat diameter, onto the disk shaft.
3. Insert the tool disk and shaft into the choke end of your carburetor body.
4. Support the carburetor body using spacer E on a press table. Be sure the spacer inside diameter is perfectly aligned with the carburetor throat.
5. Using the press ram, push the Venturi out of the carburetor throat.

Installation:

1. Before installing Venturi, thoroughly clean the Venturi outside diameter and the carburetor throat.
2. The Venturi can be installed if needed by reversing the order of the removal procedure.



ITEM	DESCRIPTION	QUANTITY
A	DISK SHAFT	1
B	1-3/16 VENTURI DISK	1
C	1-3/8 VENTURI DISK	1
D	1-9/16 VENTURI DISK	1
E	SPACER	1
F	CARBURETOR BODY	NOT INCLUDED
G	VENTURI	NOT INCLUDED
H	PRESS RAM	NOT INCLUDED
I	PRESS TABLE	NOT INCLUDED