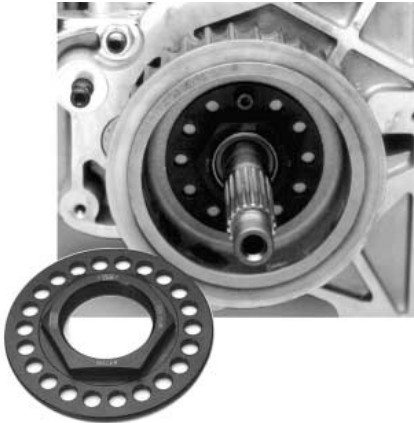




INSTRUCTION SHEET FOR TOOL #1708

MEGA NUT - USE ON ALL 5-SPEEDS
USE ON BIG TWIN 1980-PRESENT & SPORTSTER 1991-PRESENT.
THIS NUT IS COMPATIBLE WITH ALL BIG TWIN & SPORTSTER BELT SPROCKETS
THAT USE LOCKPLATE NO.40251-92.

WARNING: Disconnect negative cable of battery.



1. Refer to H.D.® Service Manual for specifications.
2. Remove inner primary. Remove the (2) Allen head screws and remove lock plate. Remove sprocket nut using JIMS® Sprocket Lock Nut Wrench, #94660-37A, and pulley lock tool #2260. NOTE: Sprocket nut has a left hand thread.
3. Install JIMS® Mega Nut using red locktite, JIMS® #1083 or equivalent. Using JIMS® Sprocket Lock Nut Wrench, #94660-37A, and pulley lock tool #2260, tighten nut to 110-120 ft./lbs. Install Allen head lock screw in hole that lines up with hole in super nut. NOTE: If no holes in mega nut line up with sprocket, remove sprocket and reposition on spline to the left or right and try again to line up the holes. Holes should be close with 110-120 ft lbs of torque. Then tighten nut more to line up, not to exceed 150 ft lbs. Because all applications are slightly different this procedure may have to be done several times to line up holes. Reassemble according to H.D.® Service Manual.

CAUTION: WEAR SAFETY GLASSES. EXCESSIVE FORCE MAY DAMAGE PARTS AND TOOL. SEE JIMS® CATALOG FOR OVER 100 OTHER TOP QUALITY PROFESSIONAL TOOLS. THE LAST TOOLS YOU WILL EVER NEED TO BUY.

"From the Track... To the Street!"

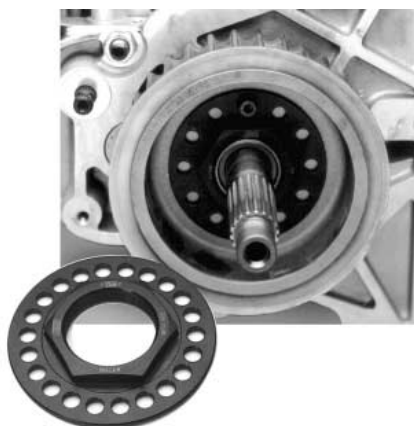
555 DAWSON DRIVE, CAMARILLO, CA 93012 • PHONE 805-482-6913 • FAX 805-482-7422



INSTRUCTION SHEET FOR TOOL #1708

MEGA NUT - USE ON ALL 5-SPEEDS
USE ON BIG TWIN 1980-PRESENT & SPORTSTER 1991-PRESENT.
THIS NUT IS COMPATIBLE WITH ALL BIG TWIN & SPORTSTER BELT SPROCKETS
THAT USE LOCKPLATE NO.40251-92.

WARNING: Disconnect negative cable of battery.



1. Refer to H.D.® Service Manual for specifications.
2. Remove inner primary. Remove the (2) Allen head screws and remove lock plate. Remove sprocket nut using JIMS® Sprocket Lock Nut Wrench, #94660-37A, and pulley lock tool #2260. NOTE: Sprocket nut has a left hand thread.
3. Install JIMS® Mega Nut using red locktite, JIMS® #1083 or equivalent. Using JIMS® Sprocket Lock Nut Wrench, #94660-37A, and pulley lock tool #2260, tighten nut to 110-120 ft./lbs. Install Allen head lock screw in hole that lines up with hole in super nut. NOTE: If no holes in mega nut line up with sprocket, remove sprocket and reposition on spline to the left or right and try again to line up the holes. Holes should be close with 110-120 ft lbs of torque. Then tighten nut more to line up, not to exceed 150 ft lbs. Because all applications are slightly different this procedure may have to be done several times to line up holes. Reassemble according to H.D.® Service Manual.

CAUTION: WEAR SAFETY GLASSES. EXCESSIVE FORCE MAY DAMAGE PARTS AND TOOL. SEE JIMS® CATALOG FOR OVER 100 OTHER TOP QUALITY PROFESSIONAL TOOLS. THE LAST TOOLS YOU WILL EVER NEED TO BUY.

"From the Track... To the Street!"

555 DAWSON DRIVE, CAMARILLO, CA 93012 • PHONE 805-482-6913 • FAX 805-482-7422