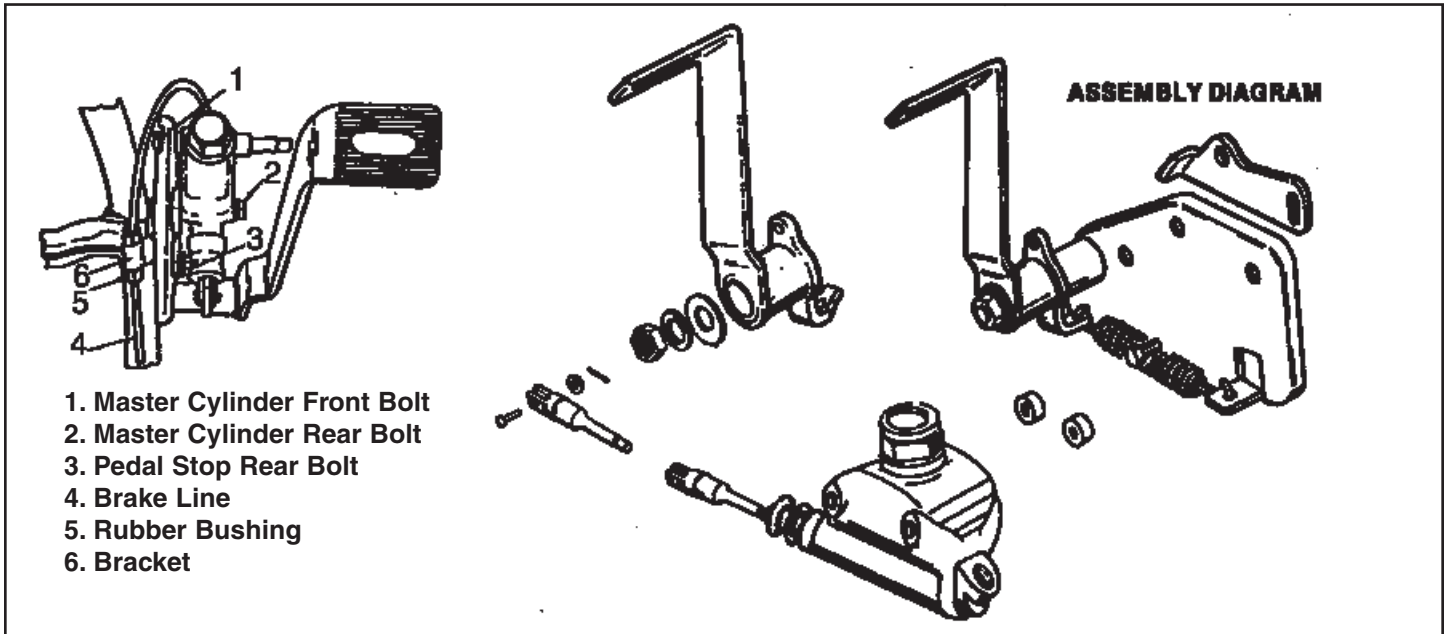


VT No. 22-0500, 22-0505, 22-0506 1970-78 FL-FX-FXR Control



- 1. Master Cylinder Front Bolt
- 2. Master Cylinder Rear Bolt
- 3. Pedal Stop Rear Bolt
- 4. Brake Line
- 5. Rubber Bushing
- 6. Bracket

1970-up FL-FX-FXR Control includes either chrome or plain cast iron master cylinder. Complete bolt on forward control for these years. Unit with unchromed master cylinder includes chrome cover for cylinder.

Wagner Type Brake Controls.

VT No.	Type
22-0500	Without Master Cylinder
22-0505	With Plain Master Cylinder
22-0506	With Chrome Master Cylinder

Note: Floorboards can be fitted to brake kits VT No. 22-0500, 22-0505, 22-0506 Wagner equipped units.

Qty	VT No.	Item
1	21-0102	Mount Plate
1	21-0103	Brake Pedal
1	23-0120	Stop Plate
1	23-0121	Support Bracket
2	23-1742	Spacer Washers
1	23-0116	Brake Plunger
1	21-1986	Clevis Pin
1	23-0753	Chrome Master Cylinder
1	23-0751	Black Master Cylinder
1	3/8 x 16 x 2 3/4	Head Bolt
1	3/8 x 24 x 2 3/4	Head Bolt
3	3/8	Split Lockwashers
1	3/8 x 24	Elastic Stop Nuts

