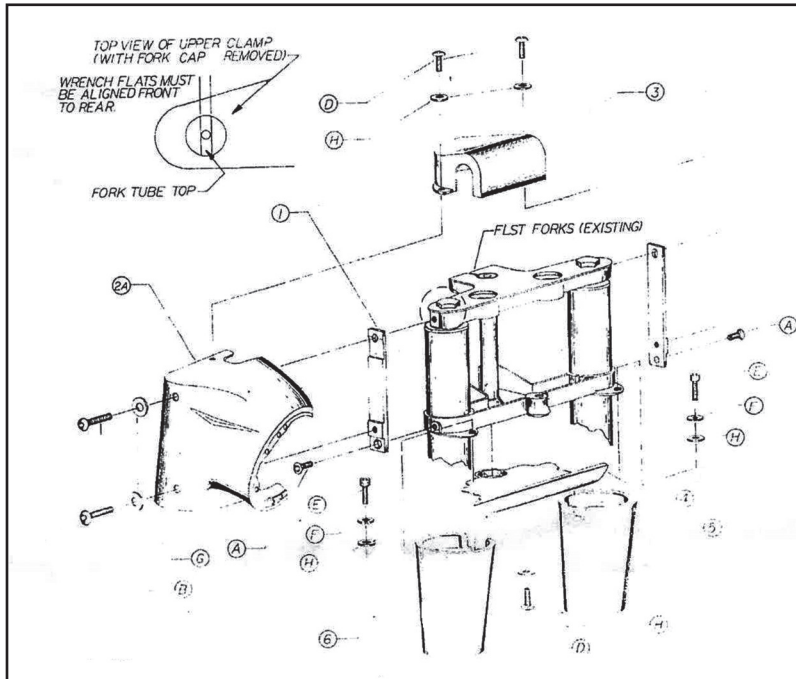


**VT No. 33-0092 and 33-0093 Instructions**

**7" Headlamp Cowl Kit**

**FL Style Headlight Housing and Fork Cover Kit fits 1986-up FLST**



**Headlamp Housing Conversion Kit with hardware and DOT approved H-4**

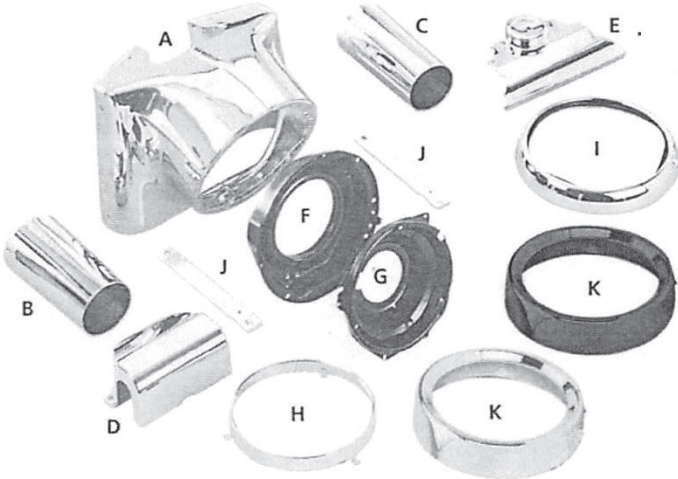
**33-0092** Chrome

**33-0093** Black

**Hardware Kit for FLST Fork Cover**

#	Qty	Item
A	2	5/16 -24 x 62 long flathead socket screw
B	1	5/16-24 x 3/4" long buttonhead socket screw
C	7	10/24 x 1/2" long sockethead screw
D	5	1/4-20 x 3/4 long button socket screw
E	4	1/4 -28 x 5/8 long sockethead screw
F	4	1/4" lockwasher
G	4	5/16" flatwasher
H	7	1/4" flatwasher (.62 O.D. x .28 I.D. x .08 thk)
I	3	8-32 x 1/4 long self tapping screws (phillips)

**33-0092**



**33-0093**



**Headlamp Housing Conversion Kit with hardware and DOT approved H-4**

**33-0092** Chrome

**33-0093** Black

**Parts List**

- A Headlamp Housing
- B Right Slider Cover
- C Left Slider Cover
- D Riser Cover
- E Lower Triple Tree Under Cover
- F Inner Headlamp Mount
- G Outer Headlamp Mount
- H Headlamp Retaining Ring
- I Outer Ring
- J Mounting Bracket