

VT No. 33-0430

NACELLE MOUNTING HARDWARE KIT

General

This kit is required when mounting passing lamps, rigid mounted windshield, or detachable windshield with passing lamps, to a motorcycle after a chrome nacelle kit, Part No. 67907-96, has been installed.

This hardware kit supplements the hardware that comes with the nacelle kit mentioned above, and the hardware that comes with windshield and passing lamp kits.

See Service Parts illustration for kit contents.

CAUTION

To prevent damage to fasteners and tapped holes, make sure all tapped hole threads are clean before assembly.

Preparation

On all models with rigid mounted windshields

See page 4 for windshield modification instructions.

On all models with passing lamps

When using passing lamps with the nacelle, a hole for the passing lamp switch must be drilled in the nacelle as follows:

1. See Figure 1. Remove the left half of the nacelle (if installed). Cover the location where the passing lamp switch hole will be drilled with transparent tape or masking tape and mark the hole location as shown.

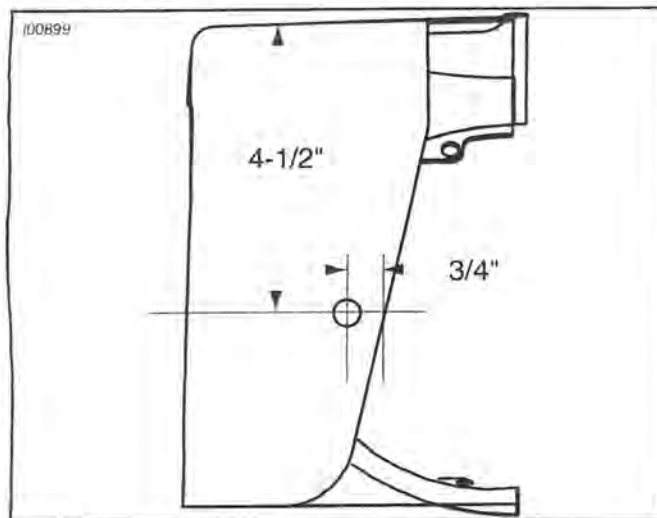


Figure 1. Location for Switch Hole in Nacelle (Nacelle Rear View)

NOTE

For best results, drill the passing lamp switch hole on a drill press with the surface to be drilled level and securely held in place. Also, be sure to use sharp drill bits when drilling the hole.

2. Prick punch the hole location. Carefully drill 1/2-in. dia. hole by first drilling a 1/8-in. pilot hole, then follow with a 1/4-in. hole, a 3/8-in. hole, and finally a 1/2-in. hole. After hole is drilled, remove tape and any burrs that may have formed.

Installation

NOTE

For every installation, first install the nacelle according to the instructions provided in the nacelle kit. Then use the instructions below to mount passing lamps/windshields.

NOTE

Before assembly, apply Loctite 242 (blue) to screw threads that are threaded into the fork brackets.

NOTE

For installation on 1986-1999 FLSTC, FLST and 1990-Later FLSTF models, refer to installation procedure A, B, C, or D as appropriate. For installation on 2000-Later FLSTC models, refer to installation procedure E or F as appropriate.

A

Nacelle used with passing lamps and no windshield

1. See Figure 2. With passing lamp assembly off of motorcycle, place hardware on passing lamp brackets as shown. Only tighten screws (11) and acorn nuts (7) in center position. Leave top acorn nuts off until step 7.
2. Remove screws and washers from bottom holes in nacelle.
3. Put bottom of passing lamp bracket into position and attach bottom of bracket to fork bracket with screws (10), 5/16 chrome washers from nacelle, and spacer (4).
4. Remove screws and washers from top holes in nacelle.
5. Put top of passing lamp bracket into position and thread set screws (12) into top fork bracket holes until they bottom. Make sure middle nuts (6) stay free.
6. Tighten middle nuts (6) against adapter brackets (3).
7. Cover exposed end of set screws with acorn nuts (7). Tighten nuts.
8. Install passing lamp switch into hole drilled in nacelle.

B

Nacelle used with passing lamps and detachable windshield

1. See Figure 2. With passing lamp assembly off of motorcycle, place hardware on passing lamp brackets as shown. Only tighten screws (5) in center position. Leave top acorn nuts off until step 7. The pieces shown in dashed lines are from the detachable windshield hardware kit.
2. Remove screws and washers from bottom holes in nacelle.
3. Put bottom of passing lamp bracket into position and attach bottom of bracket, along with lower docking points, to fork bracket with screws (9), chrome 5/16-in. flat washer and lock washer from nacelle kit, and spacer (4).
4. Remove screws and washers from top holes in nacelle.

5. Put top of passing lamp bracket into position and thread set screws (8) into top fork bracket holes until they bottom. Make sure middle nuts (6) stay free.
6. Tighten middle nuts (6) against adapter brackets (3).
7. Cover exposed end of set screws, and upper docking points, with acorn nuts (7). Tighten nuts.
8. Install passing lamp switch into hole drilled in nacelle.

C

Nacelle used with passing lamps and rigid mounted windshield

1. See Figure 2. With passing lamp assembly off of motorcycle, place hardware on passing lamp brackets as shown. Leave all acorn nuts off until step 7.
2. Remove screws and washers from bottom holes in nacelle.
3. Put bottom of passing lamp bracket into position and attach bottom of bracket to fork bracket with screws (10), 5/16 chrome washers from nacelle, and spacer (4).
4. Remove screws and washers from top holes in nacelle.
5. Put top of passing lamp bracket into position and thread set screws (12) into top fork bracket holes until they bottom. Make sure middle nuts (6) stay free.
6. Tighten middle nuts (6) against adapter brackets (3).

7. Put windshield into position and cover exposed ends of set screws with acorn nuts (7). Tighten nuts.
8. Install passing lamp switch into hole drilled in nacelle.

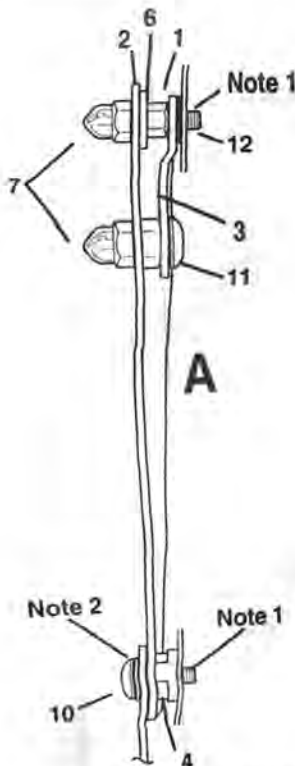
D

Nacelle used with rigid mounted windshield and no passing lamps

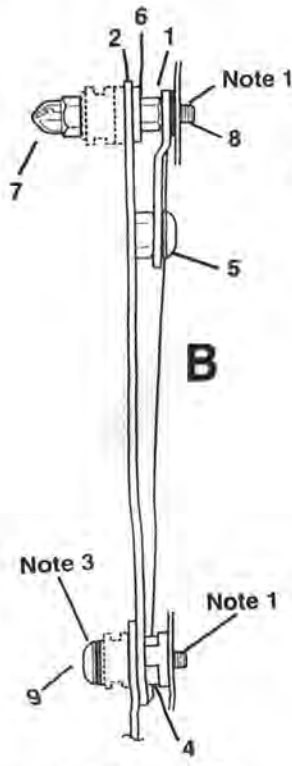
1. See Figure 2. With windshield off of motorcycle, place hardware on windshield brackets as shown. Only tighten screws (10) and acorn nuts (7) in center position. Leave top acorn nuts off until step 7.
2. Remove screws and washers from bottom holes in nacelle.
3. Put bottom of windshield bracket into position and attach bottom of bracket to fork bracket with screws (10) and 5/16 chrome washers from nacelle. Make sure spacer (13) is between bracket and nacelle on each side.
4. Remove screws and washers from top holes in nacelle.
5. Put top of windshield bracket into position and thread set screws (12) into top fork bracket holes until they bottom. Make sure middle nuts (6) stay free.
6. Tighten middle nuts (6) against adapter bracket (3).
7. Place windshield into position over set screws and cover exposed ends of set screws with acorn nuts (7). Tighten nuts.

1986-1999 FLSTC. FLST and 1990-Later FLSTF

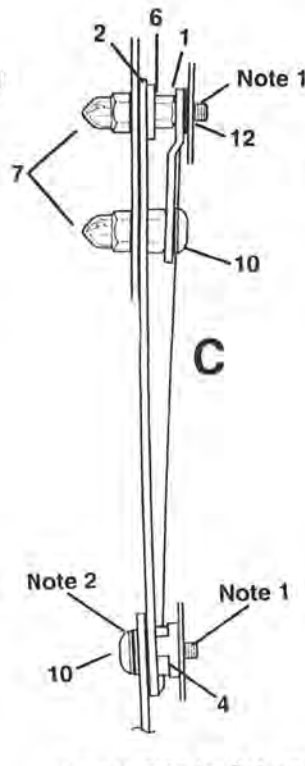
A. Nacelle used with passing lamps and no windshield



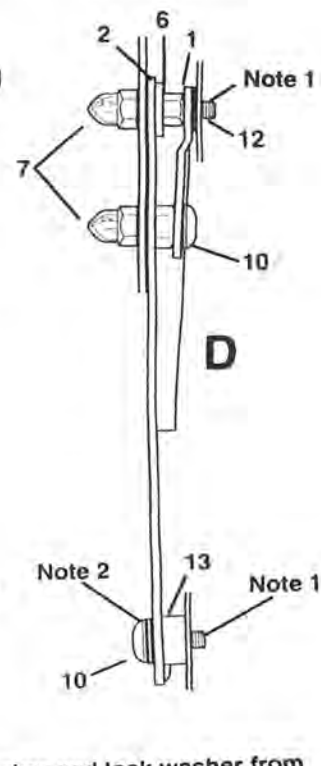
B. Nacelle used with passing lamps and detachable windshield



C. Nacelle used with passing lamps and rigid mounted windshield



D. Nacelle used with rigid mounted windshield and no passing lamps



Note 1. Apply Loctite 242 (blue) before assembly
 Note 2. 5/16-in. chrome washer from nacelle kit

Note 3. 5/16-in. flat washer and lock washer from nacelle kit

Figure 2. Hardware Stackups

E

Nacelle used with passing lamps and no windshield

1. See Figure 3.
2. Remove screws and washers from bottom holes in nacelle.
3. Put bottom of passing lamp bracket into position and attach bottom of bracket to fork bracket with screws (10), 5/16 chrome washers from nacelle kit, and spacer (4).
4. Remove screws and washers from top holes in nacelle.
5. Put top of passing lamp bracket into position and thread set screws (12) into top fork bracket holes until they bottom. Make sure spacer (14) is between bracket and nacelle.
6. Cover exposed end of set screws with acorn nuts (7). Tighten nuts.
7. Install passing lamp switch into hole drilled in nacelle.

F

Nacelle used with passing lamps and detachable windshield

1. See Figure 3. The pieces shown in dashed lines are from the detachable windshield hardware kit.
2. Remove screws and washers from bottom holes in nacelle.

3. Put bottom of passing lamp bracket into position and attach bottom of bracket, along with lower docking points, to fork bracket with screws (9), chrome 5/16-in. flat washer and lock washer from nacelle kit, and spacer (4).
4. Remove screws and washers from top holes in nacelle.
5. Put top of passing lamp bracket into position and thread set screws (8) into top fork bracket holes until they bottom. Make sure spacer (14) is between bracket and nacelle.
6. Cover exposed end of set screws, upper docking points, and lockwashers with acorn nuts (7). Tighten nuts.
7. Install passing lamp switch into hole drilled in nacelle.

⚠ WARNING

Carefully inspect windshield upon completion of installation. Be sure windshield mounting does not restrict full left or full right movement of front fork assembly. Restricted movement could affect handling, resulting in death or serious injury. If restriction does occur, adjust windshield as needed until proper clearance is obtained.

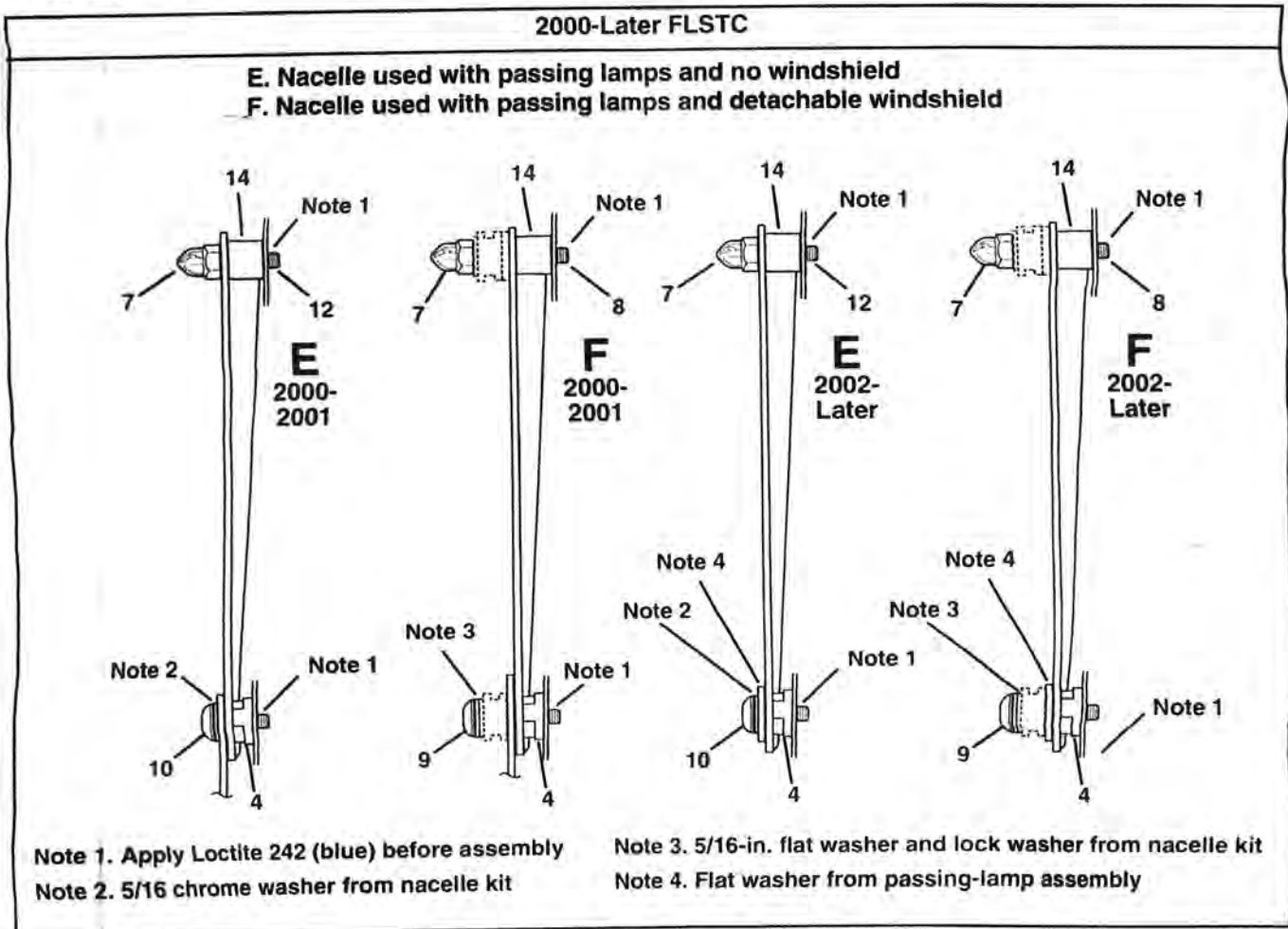
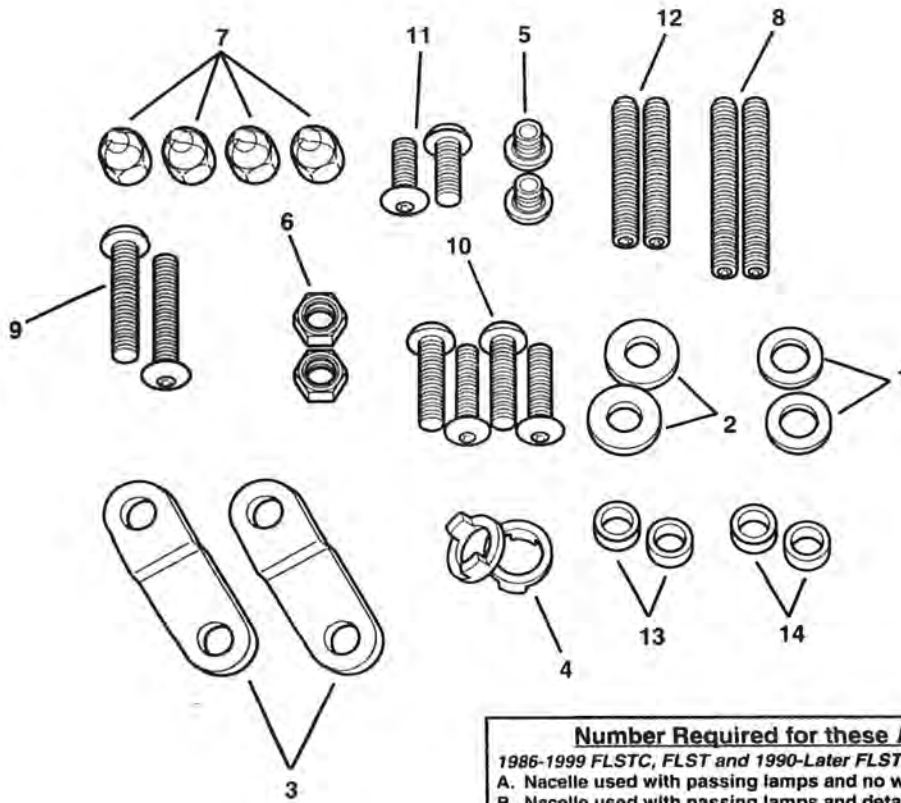


Figure 3. Hardware Stackups

Nacelle Mounting Hardware Kit



Number Required for these Applications

1986-1999 FLSTC, FLST and 1990-Later FLSTF

A. Nacelle used with passing lamps and no windshield

B. Nacelle used with passing lamps and detachable windshield

C. Nacelle used with passing lamps and rigid mounted windshield

D. Nacelle used with rigid mounted windshield and no passing lamps

2000-Later FLSTC

E. Nacelle used with passing lamps and no windshield

F. Nacelle used with passing lamps and detachable windshield

Item	Description	Part No.	A	B	C	D	E	F
1	5/16 chrome flat washer (2)	94066-90T	2	2	2	2	0	0
2	5/16 flat washer, thick (2)	6400HB	2	2	2	2	0	0
3	Adapter bracket (2)	58373-96	2	2	2	2	0	0
4	Passing lamp spacer (2)	5864A	2	2	2	0	2	2
5	Screw (2), 5/16-24 x 3/8 in. button head	3533	0	2	0	0	0	0
6	Hex nut, 5/16-24 (2)	94043-90T	2	2	2	2	2	0
7	Acorn nut, 5/16-24 (4)	94007-90T	4	2	4	4	2	2
8	Set screw, 5/16-24 x 2 in. (2)	3283	0	2	0	0	0	2
9	Screw (2), 5/16-24 x 1.5 in. button head	4176	0	2	0	0	0	2
10	Screw (4), 5/16-24 x 1 in. button head	94398-92T	2	0	4	4	2	0
11	Screw (2), 5/16-24 x .75 in. button head	94446-95	2	0	0	0	0	0
12	Set screw, 5/16-24 x 1.75 in. (2)	3282	2	0	2	2	2	0
13	Spacer (2)	61135-57	0	0	0	2	0	0
14	Spacer (2)	5799	0	0	0	0	2	2

WINDSHIELD MODIFICATION

In order to use a windshield with a nacelle, the windshield must be trimmed to fit over the nacelle. For detachable windshields, follow directions included with nacelle kit; for rigid mounted windshields proceed as follows:

1. Cover the bottom two inches of windshield closest to the headlamp contour, on both sides of the windshield, with two layers of masking tape. This tape will help keep the cut neat as it is being made.
2. Cut out the template on this page and tape the template securely in place on the windshield. The new cut to be made is shown as a dashed line.
3. Using a saber saw, with a fine tooth blade, carefully cut new contour on windshield.
4. Clean edges of cut with a fine grit grinding wheel or a fine tooth hand file.

NOTE

Precut service replacement Lexan is available from your Harley-Davidson dealer. See dealer for part numbers.

NOTE

These marks should measure exactly 1 inch in each direction. Please measure to verify that this template is the correct size.

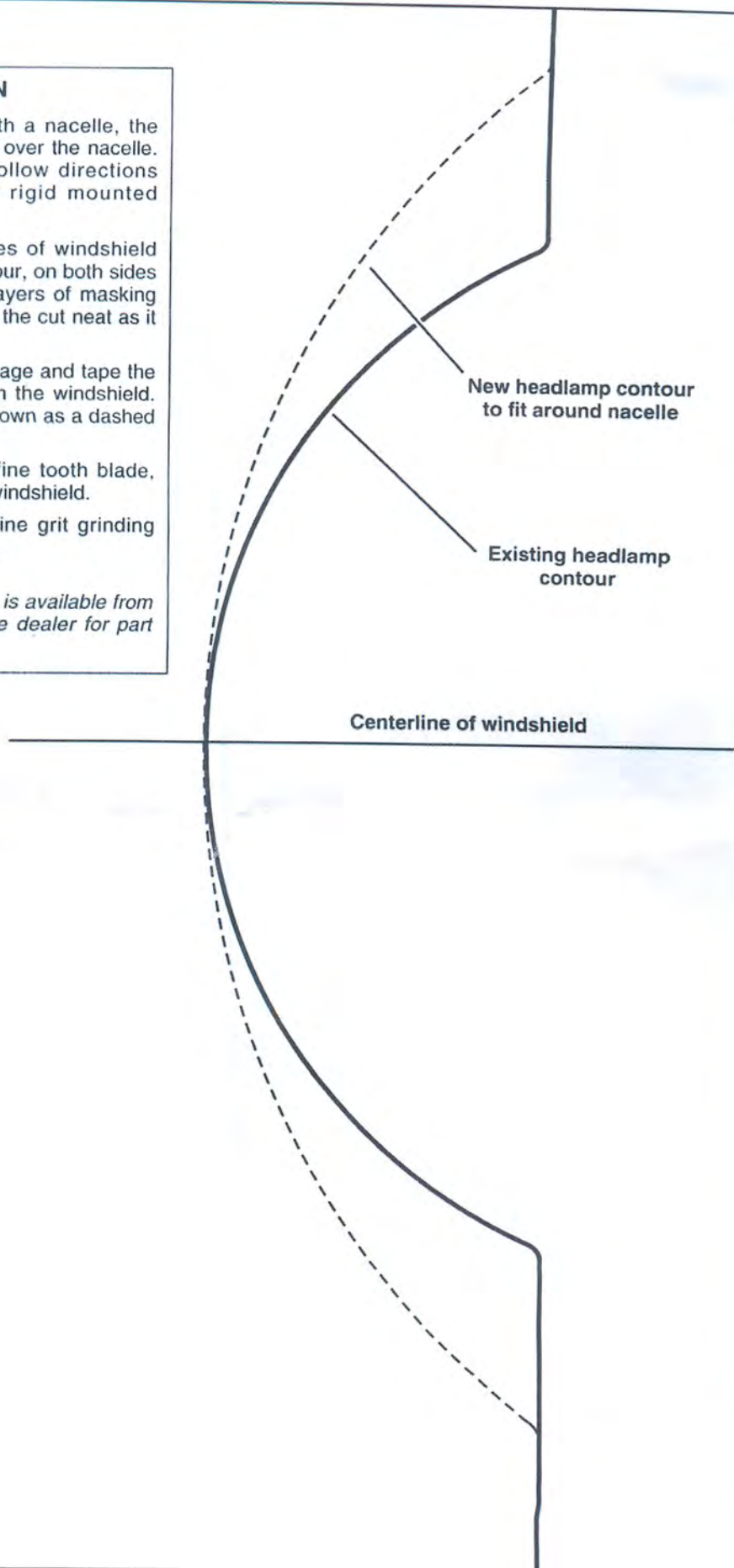


Figure 4. Windshield Modification