

# Motor LED Headlamp

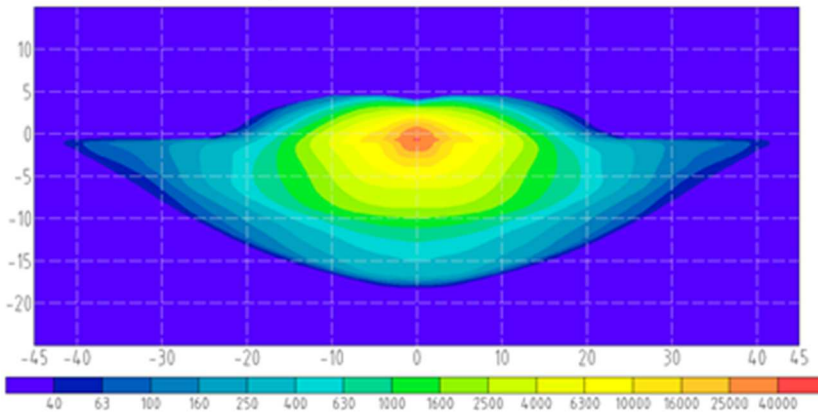
Version : Preliminary

- Bi Beam Projector
- Light Guide DRL / Position Light
- Patented Optical Design
- High Intensity
- High Light Efficiency
- Low Power Consumption
- Brightness Uniformity
- Natural Convection Cooling
- High/Low Beam Switchless



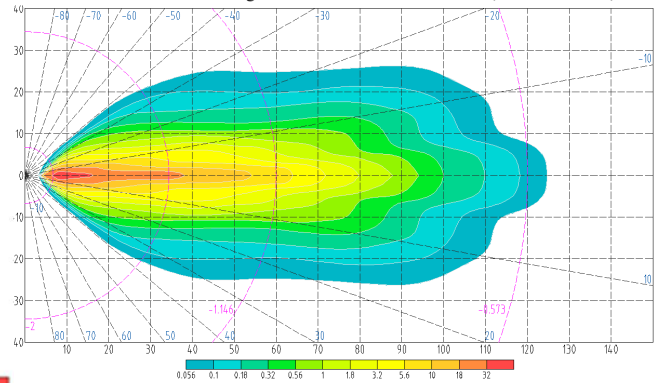
## Optical Specification

High Beam Light distribution. Max 40200 cd (X 0.1 / Y -0.7)

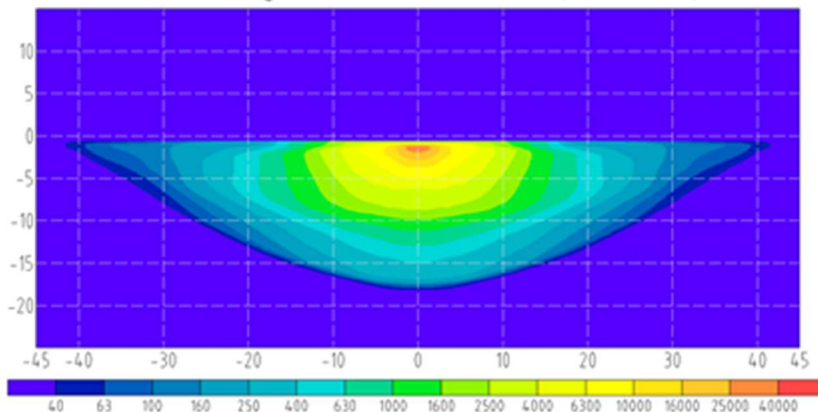


High Beam

Low Beam Bird View Light distribution. Emax 39.1 lux (X 8.75 / Y 0.25)

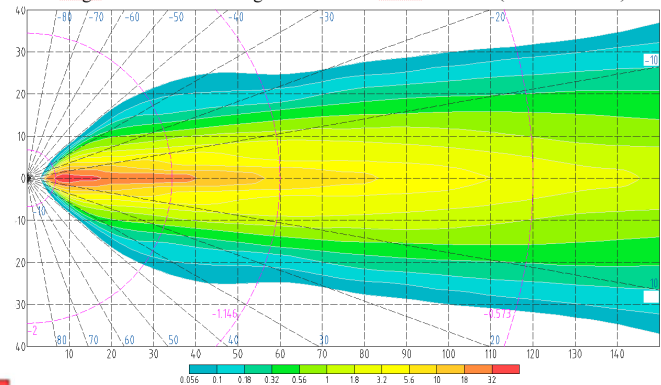


Low Beam Light distribution. Max 30500 cd (X 0.3 / Y -1.3)



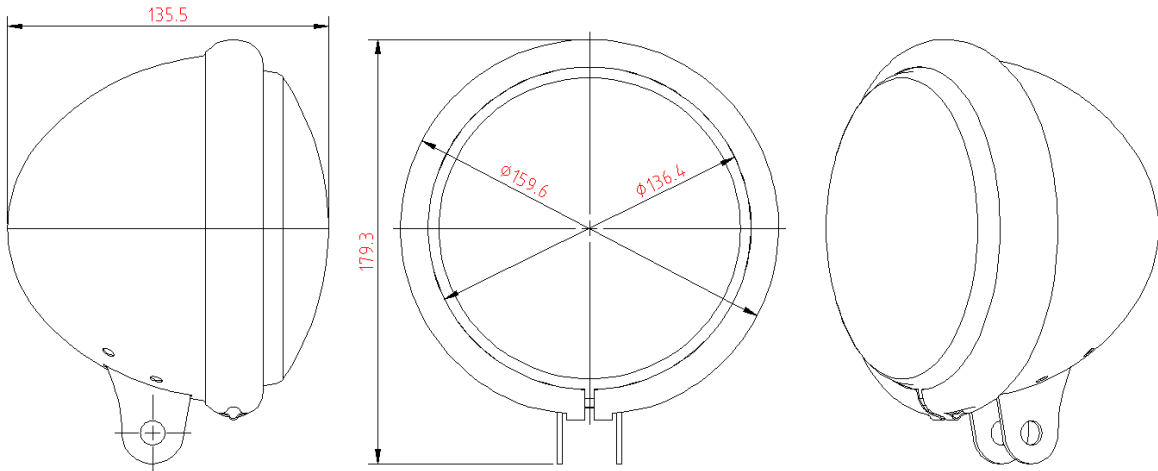
Low Beam

High Beam Bird View Light distribution. Emax 42.5 lux (X 8.75 / Y 0.25)



## Mechanical Specification

Unit : mm



Side View

Front view

## Electrical Specification

Item I	LED Q'ty (pcs)	V <sub>LED</sub> (V)	V <sub>LED_Module</sub> (V)	I <sub>LED</sub> (A)
Low Beam	3	3.3	9.9	1.1
High Beam	3	3.3	9.9	1.1
Day Time Running (Position)	3	3.3	9.9	1.1 (0.2)

Item II	Min.	Typ.	Max.	Unit
Input Voltage	9	13.5	16	V
Input Current	1.2	—	2.85	A
Output Voltage		—	10	V
Output Current	1.0	—	1.2	A
Output Power	12	—	26	W