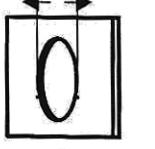
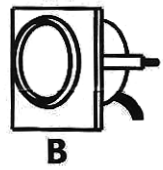


Ø85-87mm(3-2/5")

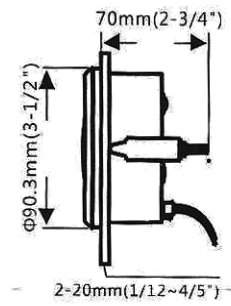


70mm 85~87mm,

Pic A : Before installation , firstly ,to open a hole (Dia:85~87mm) of the panel, make sure there is a space with (70mm backyard of panel) as well

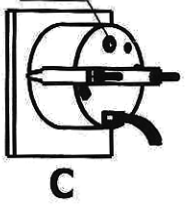


PicB: Put the gauge in the hole



Pic D: Size and annotations

Button: Adjust the speed of the unit



Pic C: Using M4 nut and C type bracket to seal up the gauge

### gps installation instructions



Installed in front:



Best



General



Can't receive GPS signals

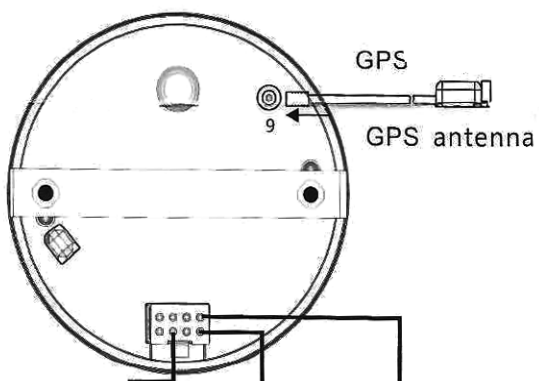
GPS Installed in reverse:



GPS: this surface material required plastic or can not shield GPS signal material

Reverse the GPS antenna installation

Specification :  
Operating Voltage : 9~32VDC ,  
Operating current : ≤100mA;  
Operating temperature : -30~+75°C  
Storage temperature : -40~+85°C.



Connection :

- 1. Red --+9-32VDC
- 2. NC
- 3. Orange--Blacklight ( + )
- 4. Blue--Ground ( - )

1. Refer to figure E connection wires(Make sure the GPS antenna is well connected ,then power on.). Turn it on , then the meter start to search the signal and LCD will count automatically. If there is still no GPS signal when it count to 300,the LCD displays "Err",
2. Fault code: Err , indicate that it couldn't search any GPS signal or GPS signal loss .

Explanation of terms(If required) :

- SOG: Speed Over Ground;
- COG: Course Over Ground
- ODO: Odometer

E