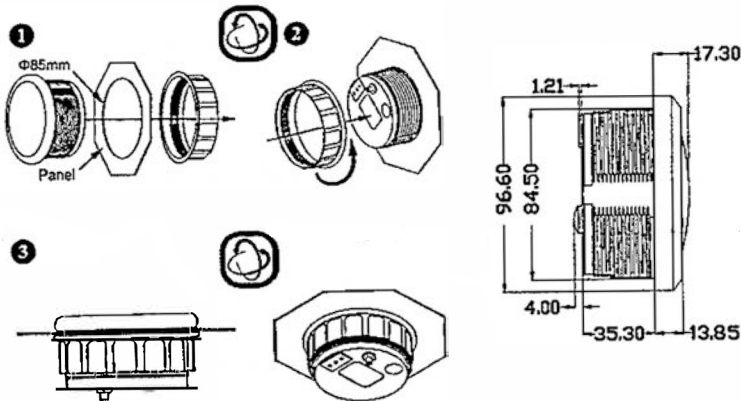


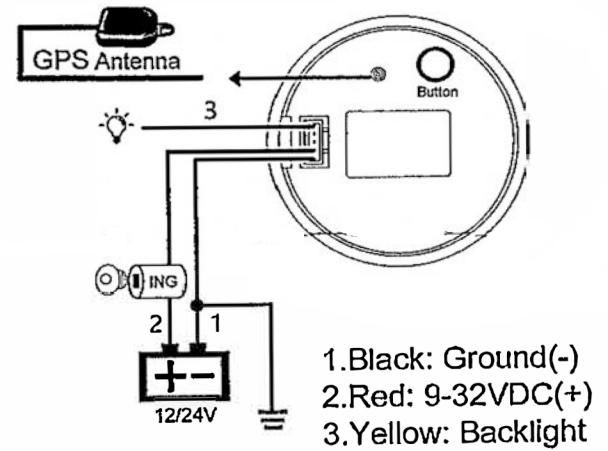
INSTALLATION INSTRUCTIONS

GPS SPEEDOMETER

① MOUNTING

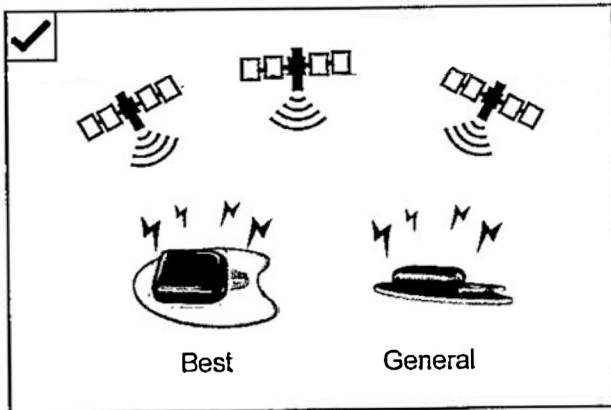


② GAUGE WIRING

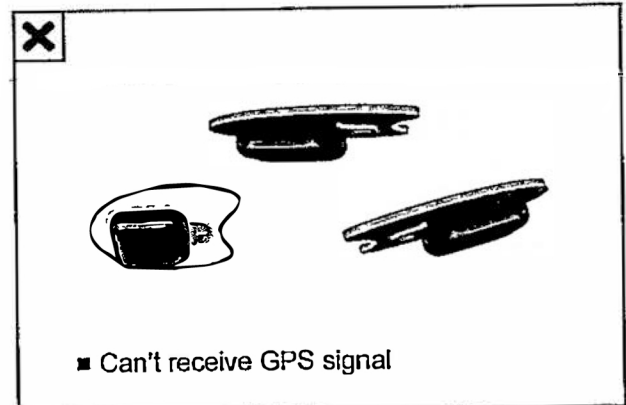


- Before install, make sure there's enough space / depth for gauge.
- Mount the gauge in the hole and screw down.
- Diameter: 85mm(3-3/8")
- Depth: 55mm(2-1/6")

③ GPS INSTALLATION



- When power is on, Speedometer will start searching signal and LCD displays "gps---".



- If there is still no GPS signal after three minutes, LCD displays "Err".

SETTING OF ODOMETER MILEAGE

1. When power is on, press the button for 5 times, it will enter setting mode. If release the button over 3 seconds, it will out of setting mode.
2. After enter setting mode, pressing the button, the value will automatically decrease. The longer you pressing the button, the quicker the value will count.
3. Release the button and pressing again, the value will automatically increase. The longer you pressing the button, the quicker the value will count.
4. After get the required value, release the button, it will save your setup after 3 seconds. If it doesn't meet your demand, please re-setup.