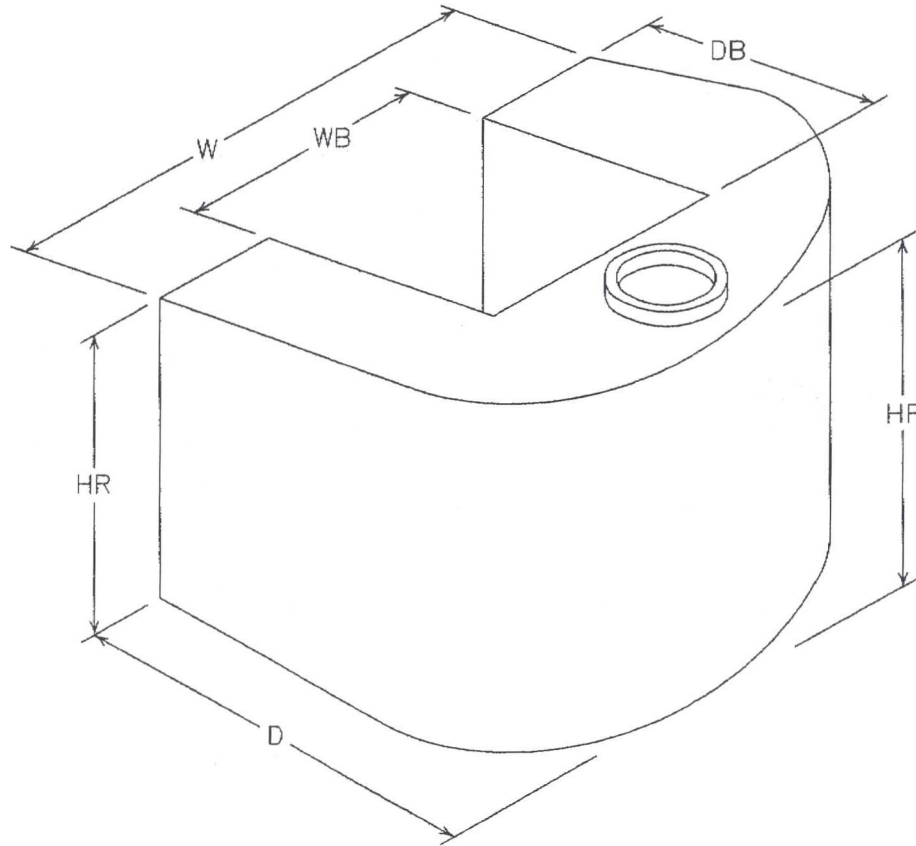


**V-Twin Mfg.  
Center Fill Oil Tank Chrome  
VT No. 40-0025  
Measurement Guide**



**Tank Dimensions**

<b>Height of Front</b>	<b>HF</b>	<b>5.75"</b>
<b>Height of Rear</b>	<b>HR</b>	<b>5.5"</b>
<b>Depth</b>	<b>D</b>	<b>7"</b>
<b>Depth of Battery Box</b>	<b>DB</b>	<b>5"</b>
<b>Width</b>	<b>W</b>	<b>12.75"</b>
<b>Width of Battery Box</b>	<b>WB</b>	<b>8.25"</b>