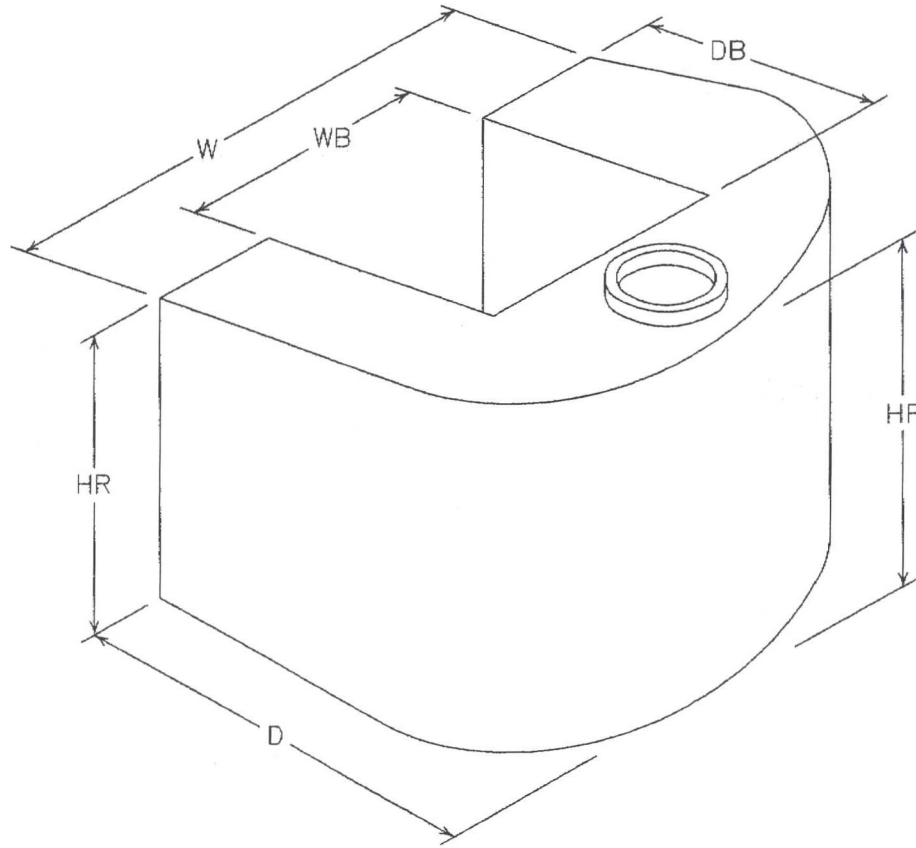


**V-Twin Mfg.
Center Fill Oil Tank Black
VT No. 40-0026
Measurement Guide**



Tank Dimensions

Height of Front	HF	5.75"
Height of Rear	HR	5.5"
Depth	D	8.75"
Depth of Battery Box	DB	5"
Width	W	12.75"
Width of Battery Box	WB	8.25"