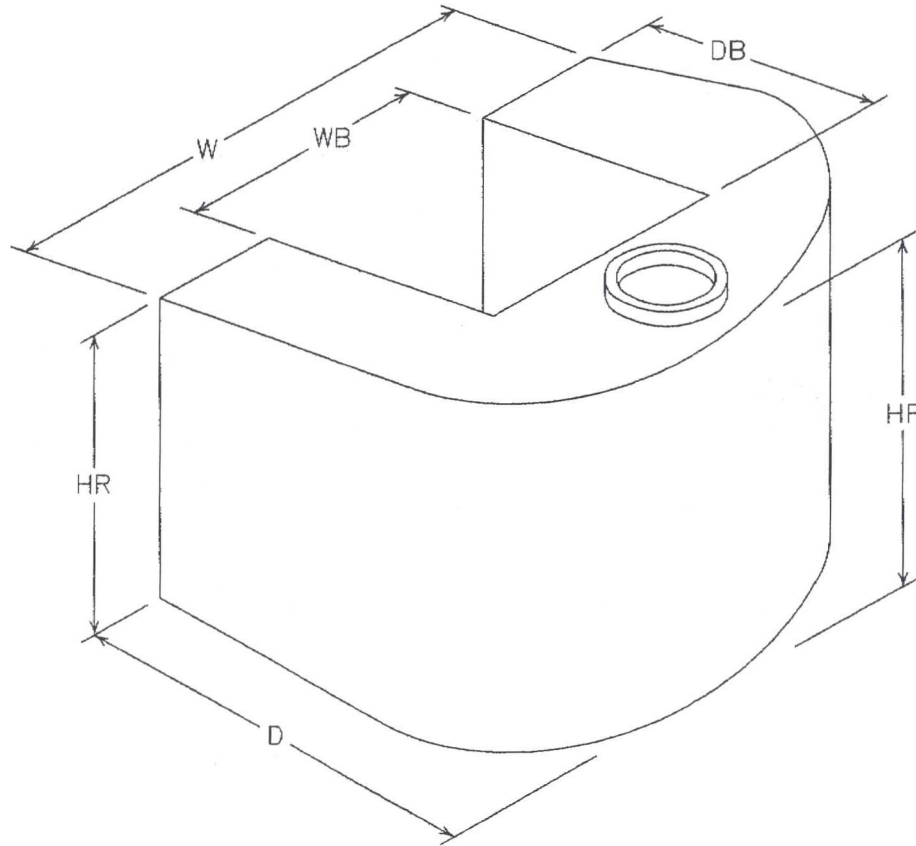


**V-Twin Mfg.
Chrome Oil Tank
VT No. 40-0396
Measurement Guide**



Tank Dimensions

Height of Front	HF	6"
Height of Rear	HR	5"
Depth	D	8"
Depth of Battery Box	DB	5.5"
Width	W	11"
Width of Battery Box	WB	8"