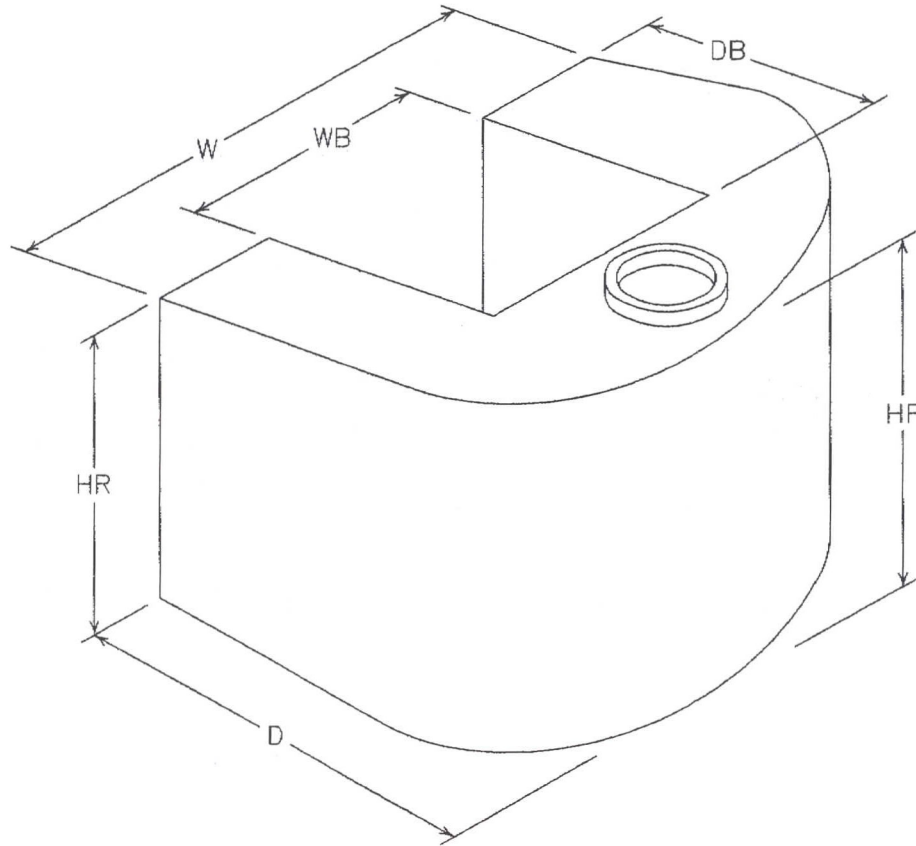


**V-Twin Mfg.
Replica Chrome Oil Tank
VT No. 40-0426
Measurement Guide**



Tank Dimensions

Height of Front	HF	7"
Height of Rear	HR	6.5"
Depth	D	8"
Depth of Battery Box	DB	5"
Width	W	10"
Width of Battery Box	WB	4.875"