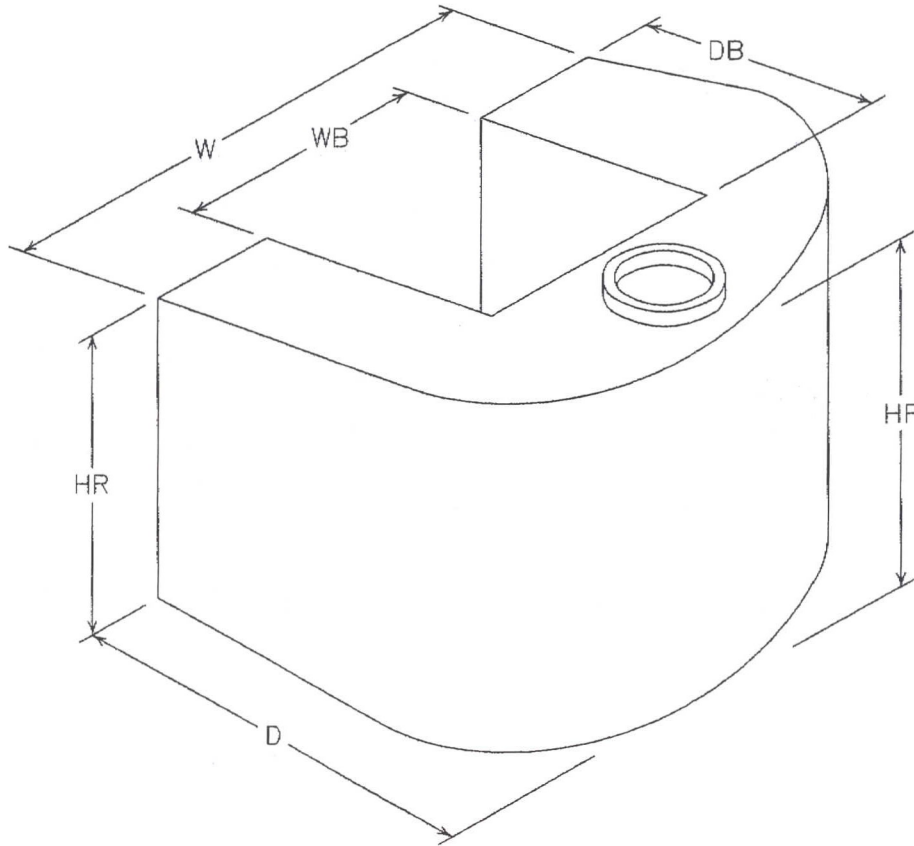


**V-Twin Mfg.
Replica Bobber Oil Tank
VT No. 40-0488
Measurement Guide**



Tank Dimensions

Height of Front	HF	5.875"
Height of Rear	HR	5"
Depth	D	8"
Depth of Battery Box	DB	5"
Width	W	10"
Width of Battery Box	WB	4.75"