

Installation Requirements

Proper installation of this kit requires separate purchase of a Center Windshield Trim kit (Part No. 57400294 - black, Part No. 57400295 - chrome).

Kit Contents

See Figure 3 and Table 1.

INSTALLATION

WARNING

Rider and passenger safety depend upon the correct installation of this kit. If the procedure is not within your capabilities or you do not have the correct tools, have a dealer perform the installation. Improper installation of this kit could result in death or serious injury.

NOTE

When installing, do not scratch the windshield or nearby painted or chrome surfaces.

1. See Figure 1. Remove the two inner screws and washers fastening the windshield to the outer fairing. Discard the screws and washers.

2. Position the center windshield trim in place at the base of the windshield, aligning windshield mounting holes.

3. See Figure 3. Thread fasteners (3) from kit through the center windshield trim and into the open windshield mounting holes. Tighten finger-tight.

4. Remove outer screw and washer from right side and discard screw and washer.

5. Remove the center windshield trim fastener from the same side. Save fastener for installation of right side windshield trim.

6. Position the right side windshield trim in place, aligning the windshield mounting holes and overlapping the center windshield trim tab.

7. Thread the saved fastener through the right trim, the center windshield trim tab and into the open windshield mounting hole. Tighten finger-tight.

8. Thread fastener (3) from kit into the outer end of the right trim and into the open windshield mounting hole. Tighten finger-tight.

9. Repeat steps 4 through 8 for the left side trim.

10. See Figure 2. Tighten all four fasteners to 0.9–1.35 N·m (8–12 in-lbs), following the tightening sequence shown in Figure 2.

NOTE

When tightening the first two fasteners, hold the middle section of the center trim, tight against the windshield.

SERVICE PARTS

Table 1. Service Parts: Road Glide Windshield Trim Kit

Item	Description (Quantity)	Part Number
1	Trim assembly, windshield (right)	Not sold separately
2	Trim assembly, windshield (left)	Not sold separately
3	Screw (4)	933
	Screw (4)	10200423

Reference items mentioned in text but not included in kit:

A Trim assembly, windshield (center)

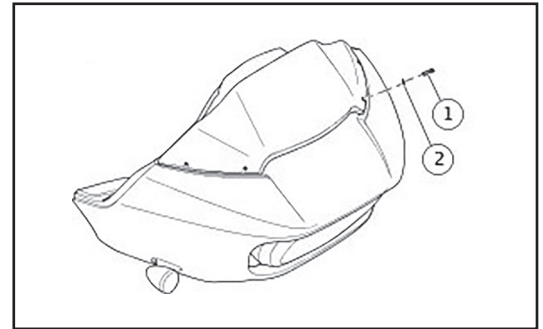


Figure 1. Windshield Attaching Screws

- 1 Inner windshield screw
- 2 Inner washer

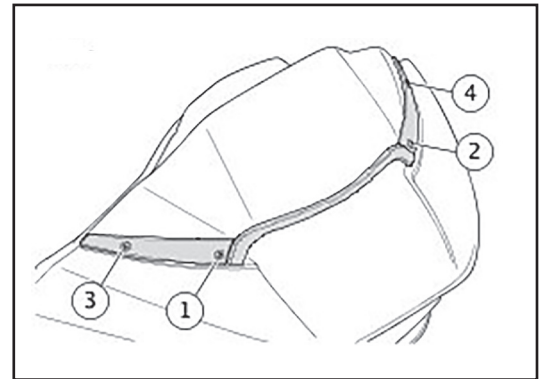


Figure 2. Screw Tightening Sequence

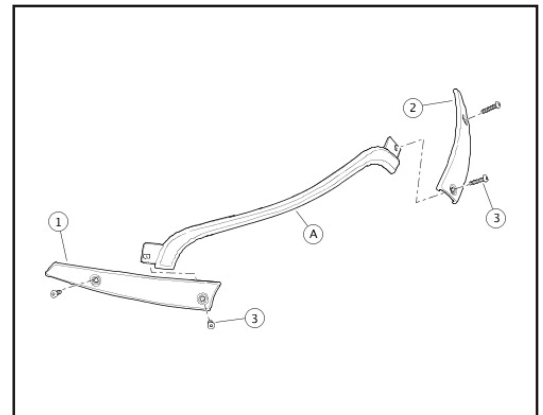


Figure 3. Service Parts: Road Glide Windshield Trim Kit