

**Saddlebag Guard Rail Kit**

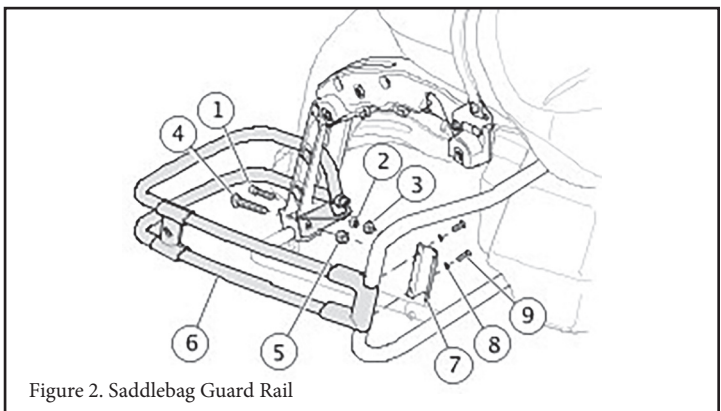
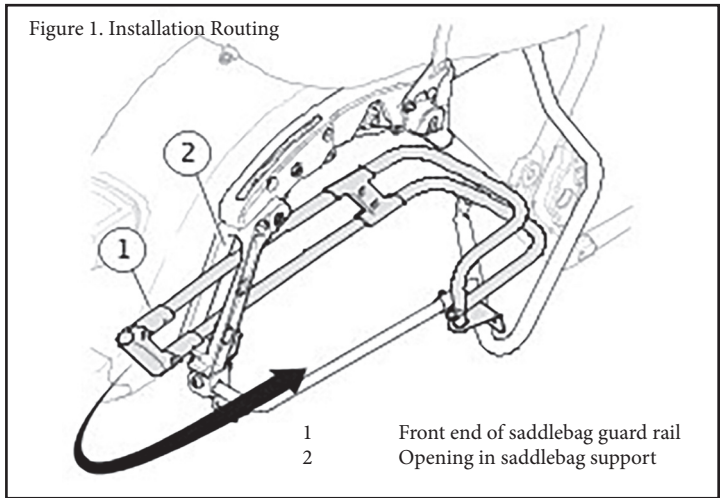
**WARNING**

Rider and passenger safety depend upon the correct installation of this kit. If the procedure is not within your capabilities or you do not have the correct tools, have a dealer perform the installation. Improper installation of this kit could result in death or serious injury.

**Kit Contents**

See Figure 3 and Table 1.

- 1 Short screw
- 2 Lockwasher
- 3 Nut
- 4 Long screw
- 5 Nut
- 6 Saddlebag guard rail
- 7 Clamp
- 8 Washer (2)
- 9 Screw (2)



**REMOVAL**

See the owner's manual. Remove saddlebags.  
Models with saddlebag support covers: Remove two screws and cover from each side.

**INSTALLATION**

**NOTE**

Install saddlebag guard rail to one side at a time.

1. See Figure 2. Remove screw (1) and nut (3). Discard hardware.

2. Remove screw (4) and nut (5). Discard nut.

**NOTE**

Wrap the guard rail in a towel or cloth to prevent parts or components from being scratched.

3. See Figure 1. From front to rear, route the front end of the guard rail (1) through the opening in saddlebag support (2). Then rotate the front end of the guard rail around to the proper orientation.

4. See Figure 2. Install guard rail to saddlebag support.

- a. Install guard rail to saddlebag support. Secure with short screw (1), washer (2) and nut (3). Leave fasteners loose.
- b. Install original equipment (OE) long screw (4) and nut (5). Leave fasteners loose.

5. Mount the front of the guard rail (6) to the saddlebag support rail.

- a. Position front of guard rail onto the support assembly.
- b. Secure with clamp (7), screws (9) and washers (8).
- c. Tighten screws to 7.3 N·m (65 in-lbs).

6. Tighten screw (4) and nut (5) to 40.7–50.2 N·m (30–37 ft-lbs).

7. Tighten screw (1) and nut (3) to 20.3–27.1 N·m (15–20 ft-lbs).

8. Repeat installation for opposite side.

9. See the owner's manual. Install saddlebags.

**SERVICE PARTS**

Figure 3. Service Parts: Saddlebag Guard Rail Kit

Table 1. Service Parts Table

Item	Description (Quantity)	Part Number
1	Screw, #10-32 x 0.375 in (4)	2957
2	Screw, #10-32 x 0.75 in (4)	4846
3	Lockwasher, #10 (8)	7069
4	Flange nut (2)	7531
5	Flange nut (2)	7601
6	Lockwasher (4)	94081-90T
7	Screw, TORX (chrome)(4)	94583-98
8	Set screw (4)	12600093
9	Clamp, right	Not Sold Separately
10	Clamp, left	Not Sold Separately
11	Guard rail assembly, right (includes items 1-9)	90201114
12	Guard rail assembly, left (includes items 1-8, 10)	90201115

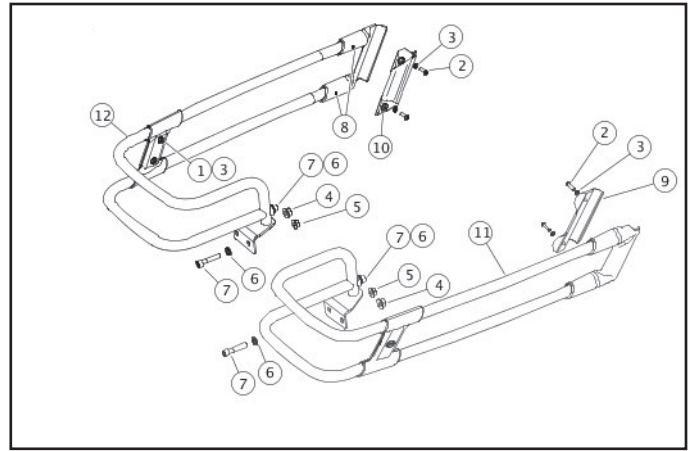


Figure 3 Service Parts: Saddlebag Guard Rail Kit